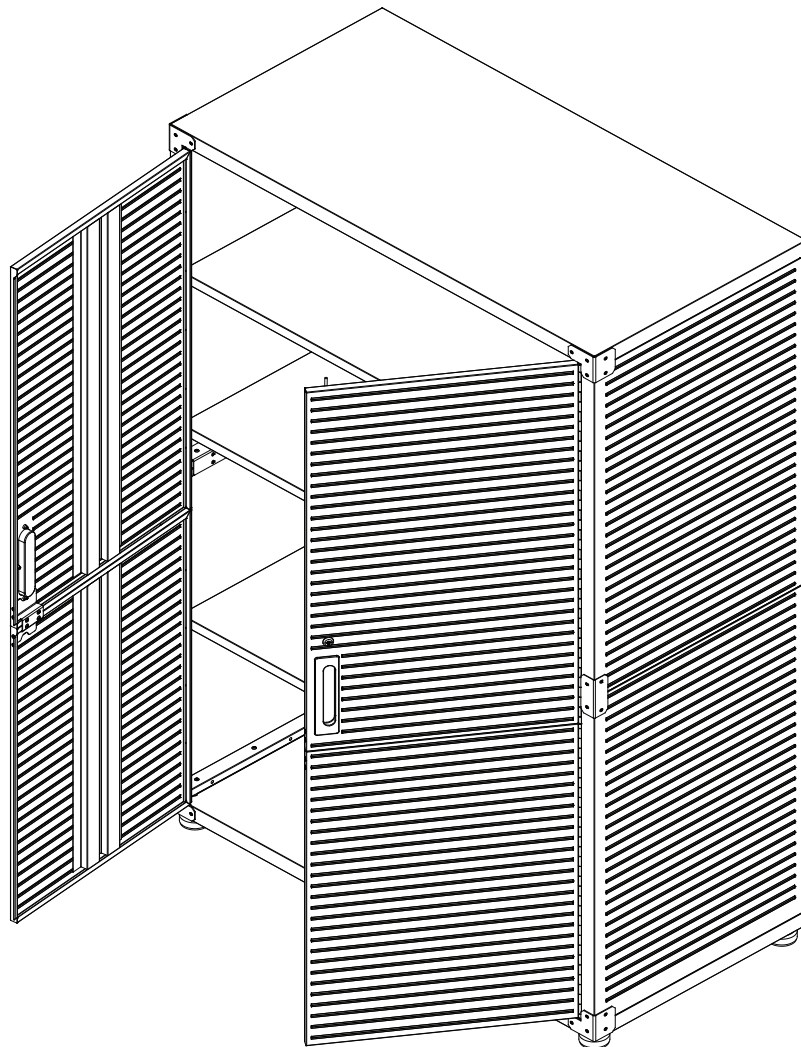


16241J 48" W x 72" H x 24" D

TALL STORAGE CABINET

INSTRUCTION MANUAL



**IF ANY PARTS ARE
MISSING OR DAMAGED,
OR IF YOU HAVE ANY
QUESTIONS, PLEASE CALL
1-866-221-8146.**

www.salmonboy.ca



Read and understand this instruction manual thoroughly before using the product. It contains important information for your safety, as well as operating and maintenance advice.

Keep this instruction manual for future use. Should this product be passed on to a third party, this instruction manual must be included.



Tall Storage Cabinet 16241J

TABLE OF CONTENTS 2



TECHNICAL SPECIFICATIONS	3
SAFETY GUIDELINES	4
EXPLODED VIEW	5-6
PACKAGE CONTENTS	7-10
ASSEMBLY INSTRUCTIONS	11-18
WARRANTY	19
ADDITIONAL AND SPARE PARTS	20



3 TECHNICAL SPECIFICATIONS

Component	Maximum load
Each shelf	200 lb (90 kg)
Bottom panel	250 lb (113 kg)
Maximum load	850 lb (385.5 kg)

SAFETY GUIDELINES 4



Safety guidelines

Crucial information that relates to protecting your personal safety and to prevent equipment issues are contained in this manual. It is in your best interest to read this manual carefully beforehand and understand it thoroughly before assembling and using the product. Below are the symbols used to indicate this information.



CAUTION!

Potential hazard that may result in moderate injury or damage to equipment.

Note - The word “Note” is used to inform the reader of something the user needs to know about the tool.

SAFETY RECOMMENDATIONS

These safety precautions are for the personal safety of the user and others working on the product. Failure to comply with these instructions may cause in serious or even fatal injury, property damage and/ or equipment damage. Take time to read the instructions and fully understand them.

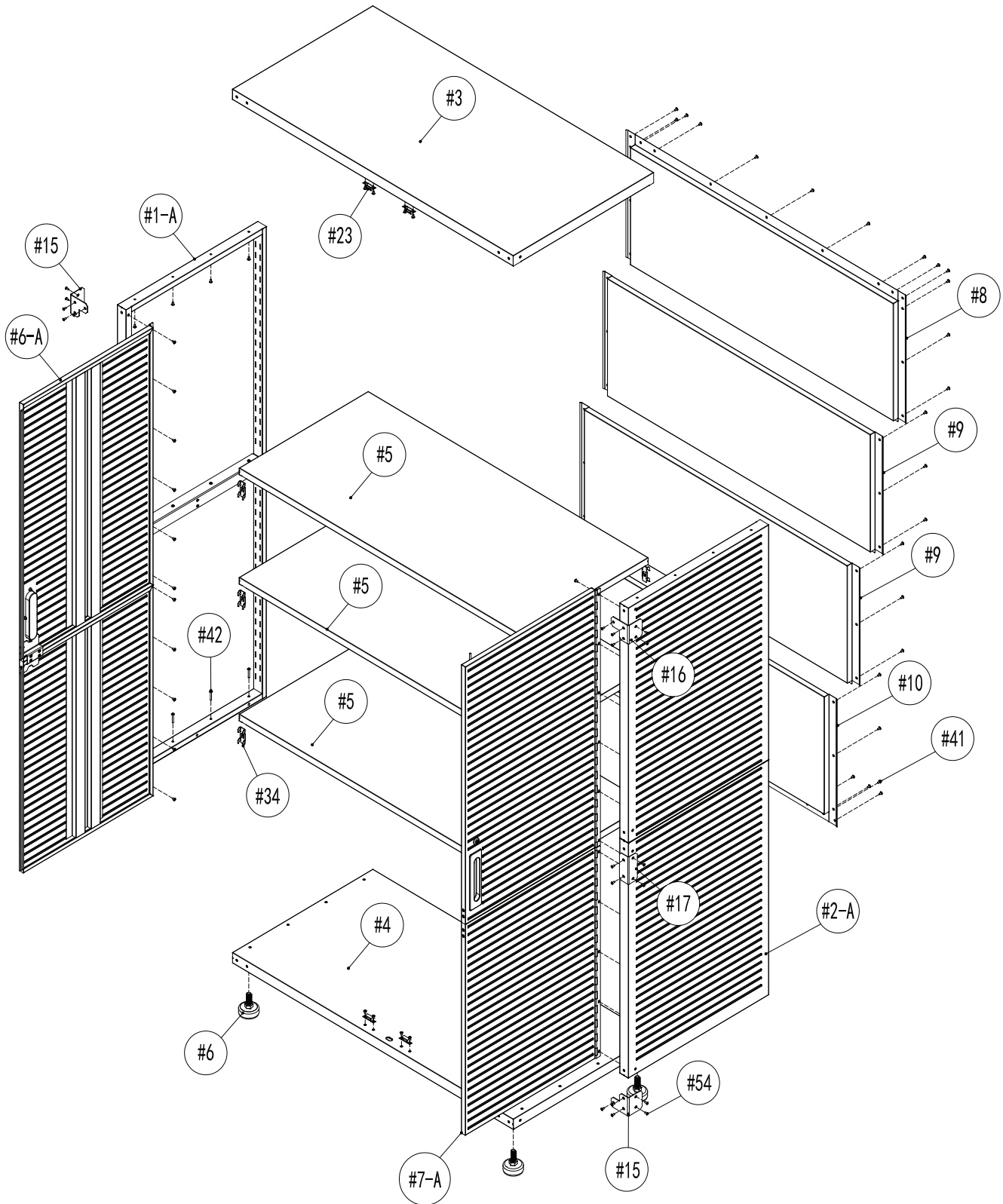


CAUTION!

Potential hazard that may result in moderate injury or damage to equipment.

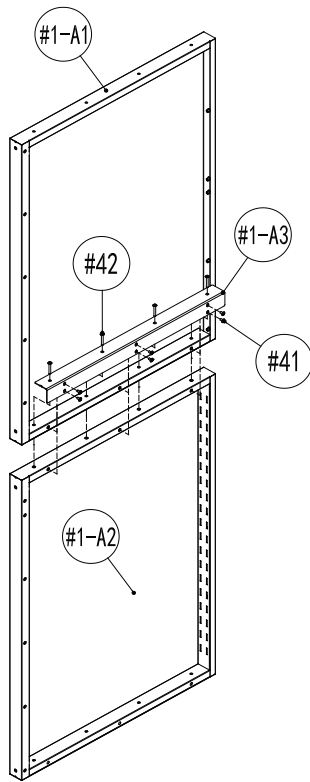
- Place the cabinet on a level surface.
- This product is intended for indoor use only.
- When cleaning use a soft damp to clean the cabinet.
- Do not stand on cabinet, and do not use it as a scaffold.
- Please do not exceed the weight limit specified for this product.
- Any assembly or maintenance of the product must be carried out by adults only.
- Arrange for the necessary man power when assembling and moving the cabinet.
- Check all screws periodically and tighten them, if required.

5 EXPLODED VIEW

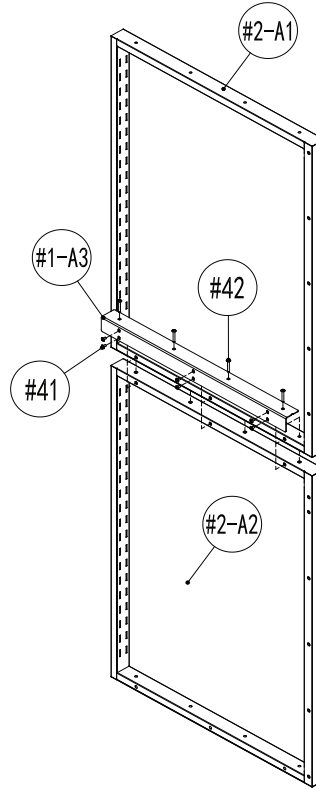


EXPLODED VIEW 6

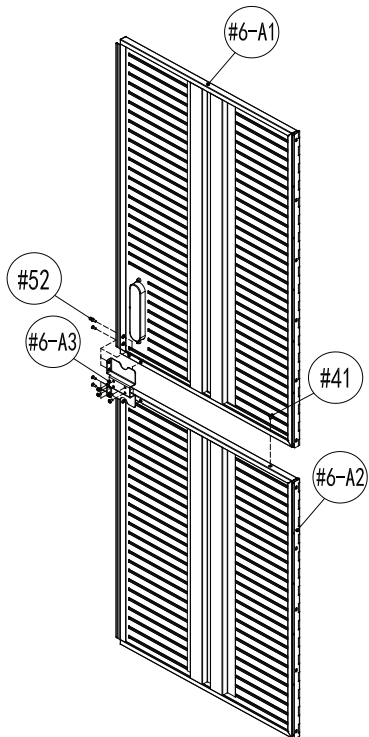
(#1-A) Left Side Panel



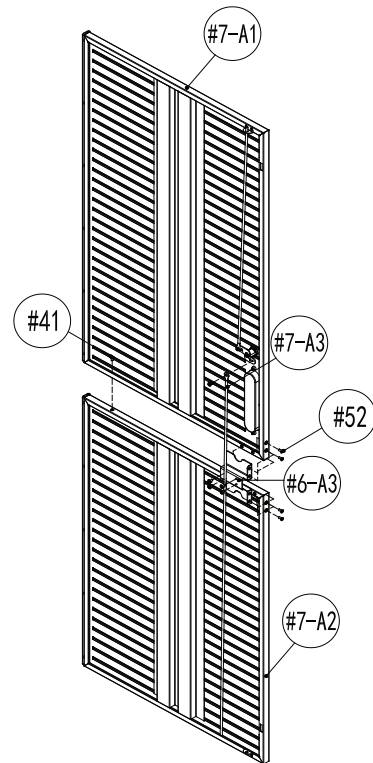
(#2-A) Right Side Panel



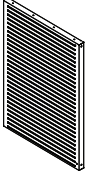
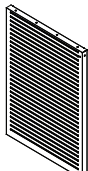
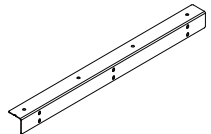
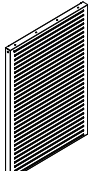
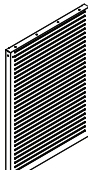
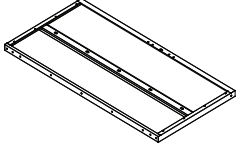
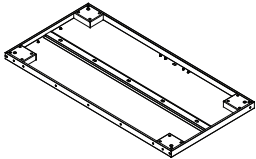
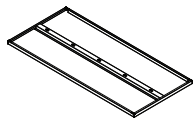
(#6-A) Left Door





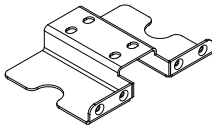

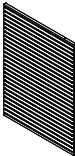
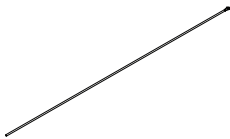
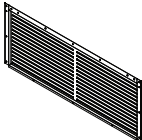
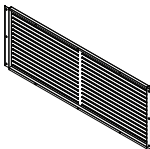
(#7-A) Right Door



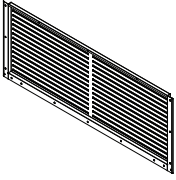
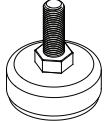
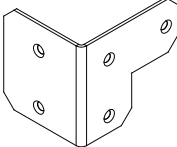
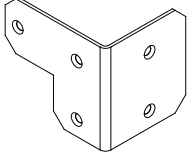
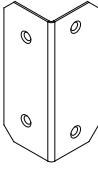
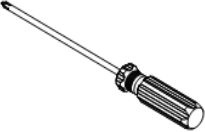
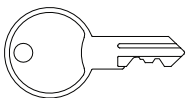
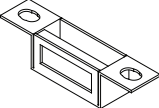
7 PACKAGE CONTENTS

Name	Part No.	Qty	Illustration
Left Side - Upper Panel	# 1-A1	1	
Left Side - Bottom Panel	# 1-A2	1	
Side Panel Reinforcement Connection Part	# 1-A3	2	
Right Side - Upper Panel	# 2-A1	1	
Right Side - Bottom Panel	# 2-A2	1	
Top Panel	# 3	1	
Bottom Panel	# 4	1	
Middle Shelf	# 5	3	

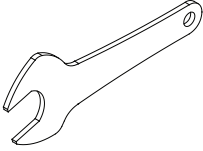
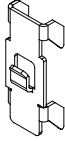
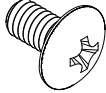
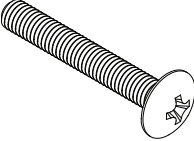
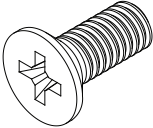
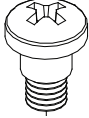
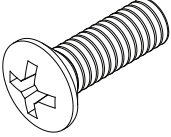
PACKAGE CONTENTS 8

Name	Part No.	Qty	Illustration
Left Door - Upper Panel	# 6-A1	1	
Left Door - Bottom Panel	# 6-A2	1	
Door Panel Connection Part	# 6-A3	2	
Right Door - Upper Panel	# 7-A1	1	
Right Door - Bottom Panel	# 7-A2	1	
Key Rod	# 7-A3	1	
Upper Back Panel	# 8	1	
Middle Back Panel	# 9	2	

9 PACKAGE CONTENTS

Name	Part No.	Qty	Illustration
Bottom Back Panel	# 10	1	
Leveling Feet	# 6	4	
Corner Protection - A	# 15	2	
Corner Protection - B	# 16	2	
Middle Corner Protection	# 17	2	
Screw Driver	# 21	1	
Key	# 22	2	
Magnet	# 23	4	

PACKAGE CONTENTS 10

Name	Part No.	Qty	Illustration
Wrench	# 25	1	
Hook	# 34	12	
Screw F (M4 x 8)	# 41	111	
Screw G (M4 x 30L)	# 42	16	
Screw K (M4 x 10L)	# 52	8	
Screw L (M4 x 6L)	# 53	1	
Screw N (M4 x 10L)	# 54	28	

11 ASSEMBLY INSTRUCTIONS

Assembly preparation

- Assemble the workbench on a clean, level surface.
- Remove all items from the packaging box and ensure that all parts listed on pages 7-10 are available.
- When installing parts that have more than one screw, tighten all screws by hand before tightening them with the screwdriver provided.

Tip: A magnetic screwdriver is included. If utilizing a power screwdriver, use low torque setting.

Warning: It is recommended to wear gloves during assembly because some parts may have sharp edges.

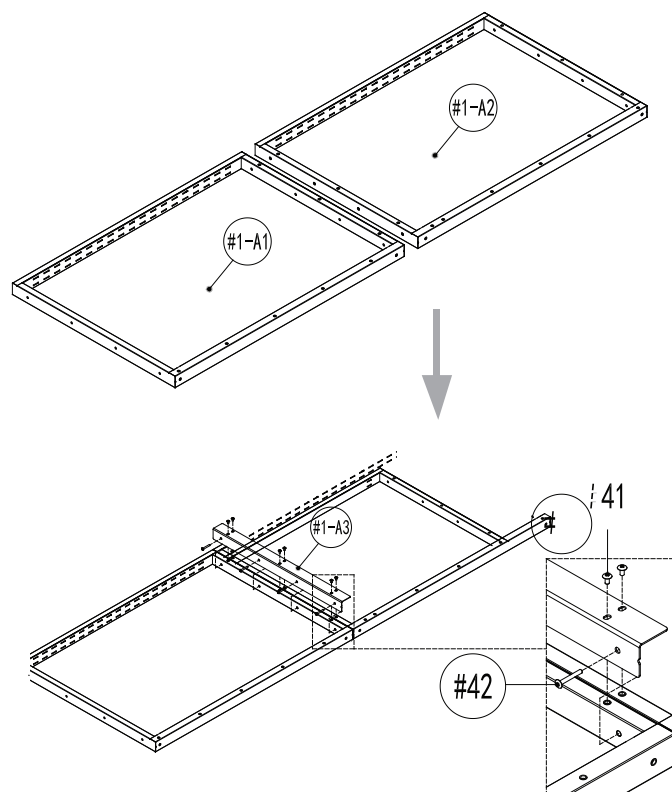
Assembly instructions

1. Install Left Side Panel (#1-A).

Place the Left Side - Upper Panel (#1-A1) and Left Side - Bottom Panel (#1-A2) together, place the Side Panel Reinforcement Connection Part (#1-A3) over the touching edges, align screw holes, use 4 of (#42) Screw G to tighten from the side, then use 6pcs of (#41) Screw F to tighten from the top side. (*fig A*)

Note: Make sure the Left Side Upper Panel (#1-A1) is aligned with Left Side Bottom Panel (#1-A2).

fig A

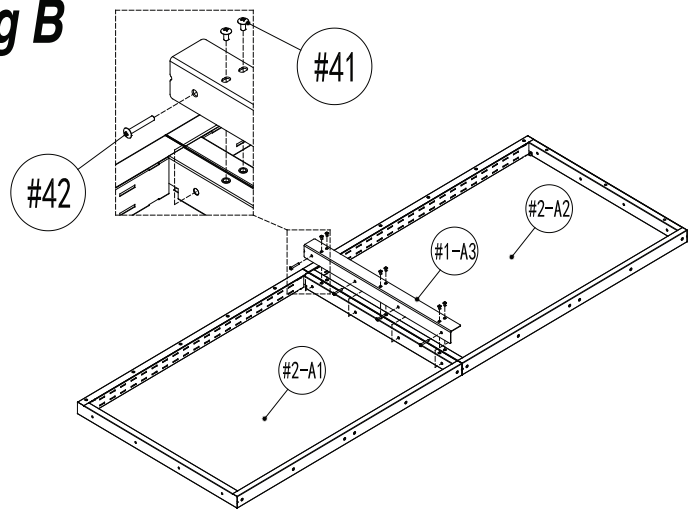


ASSEMBLY INSTRUCTIONS 12

2. Install Right Side Panel (#2-A).

Repeat Step 1, use Right Side Upper Panel (#2-A1), Right Side Bottom Panel (#2-A2), (#1-A3) Side Panel Reinforcement Connection Part, use 4 (#42) Screw G and 6 (#41) Screw F to install the Right Side Panel (#2-A). (fig B)

fig B

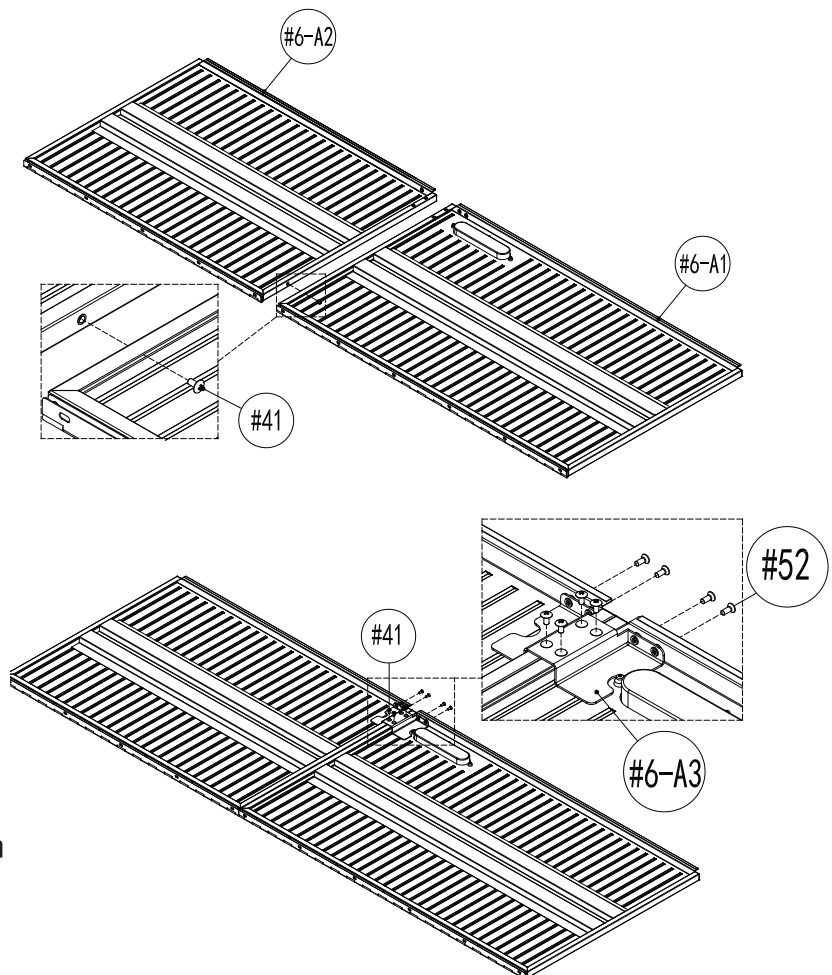


3. Install Left Door (#6-A). (fig C)

1). Place Left Door - Upper Panel (#6-A1) and Left Door - Bottom Panel (#6-A2) together, align screw holes, use 1 (#41) Screw F to tighten from the side.

2). Place the Door Panel Connection Part (#6-A3) over the touching sides, align the screw holes, use 4 (#41) Screw F to tighten from the top, and use 4 (#52) Screw K to tighten from outside edge.

fig C



Note: Make sure the Left Door - Upper Panel (#6-A1) is aligned with Left Door - Bottom Panel (#6-A2).

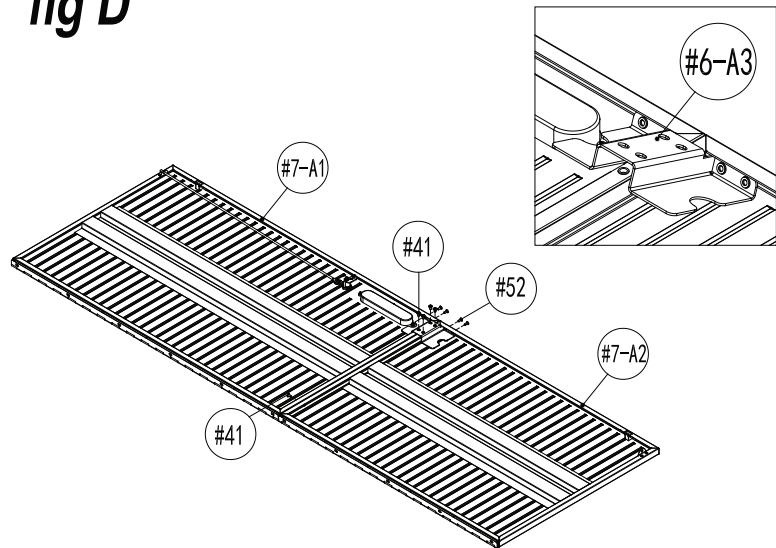
13 ASSEMBLY INSTRUCTIONS

4. Install Right Door (#7-A). (fig D)

Repeat Step 3, use Right Door - Upper Panel (#7-A1), Right Door - Bottom Panel (#7-A2), Door Panel Connection Part (#6-A3), use 1 (#41) Screw F to tighten the touching sides, use 4 (#41) Screw F to tighten from the top touching side, and 4pcs (#52) Screw K to tighten from outside edge.

Note: Make sure the Right Door - Upper Panel (#7-A1) is aligned with Right Door - Bottom Panel (#7-A2).

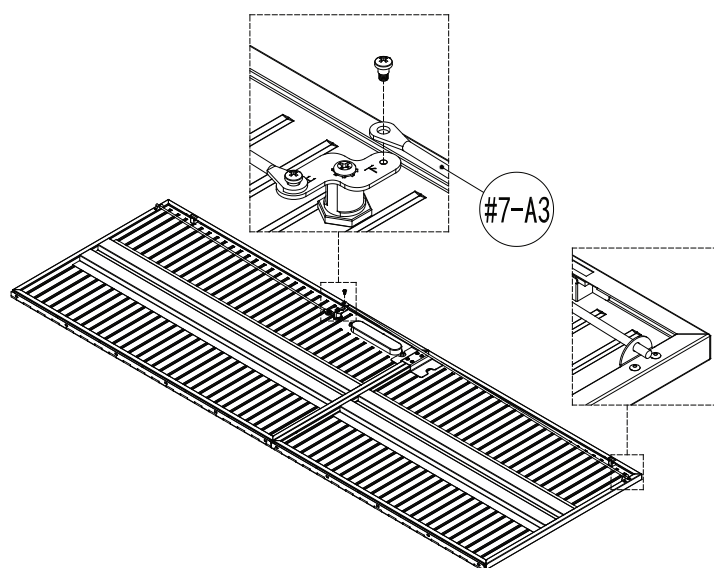
fig D



5. Install (#7-A3) Key Rod. (fig E)

Attach and insert (#7-A3) Key Rod into the bottom tab hole of (#7-A2) Right Door - Bottom Panel, twist out the Pre-assembled (#53) Screw L on the key rod linkage plate, attach (#7-A3) Key Rod by lining up the screw hole and tightening back in the (#53) Screw L.

fig E

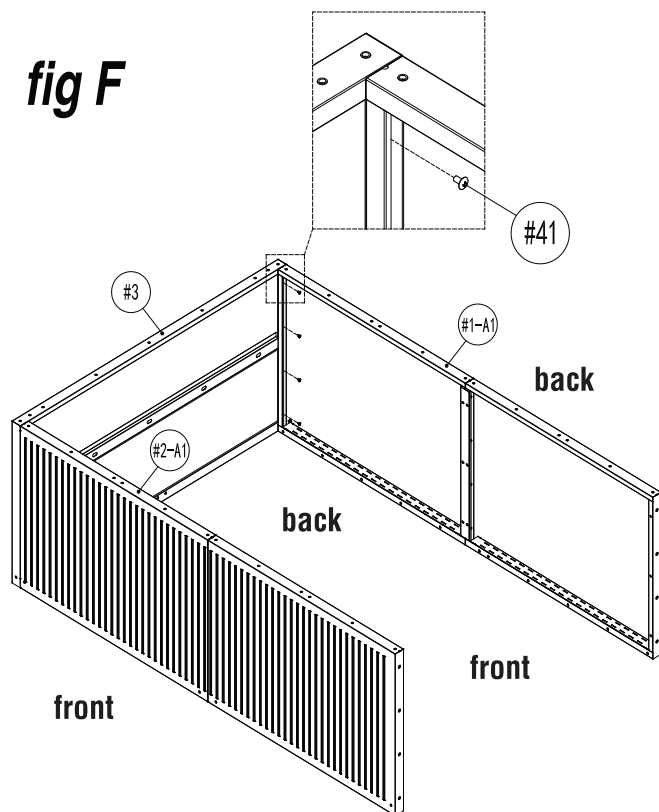


ASSEMBLY INSTRUCTIONS 14

6. Install Top Panel (#3) to Left Side Upper Panel (#1-A1) and Right Side Upper Panel (#2-A1).

Attach Top Panel (#3) to Left Side Upper Panel (#1-A1) and Right Side Upper Panel (#2-A1). Make sure the front of the panel is facing downward. Align the screw holes, use 8 (#41) Screw F to tighten. (*fig F*)

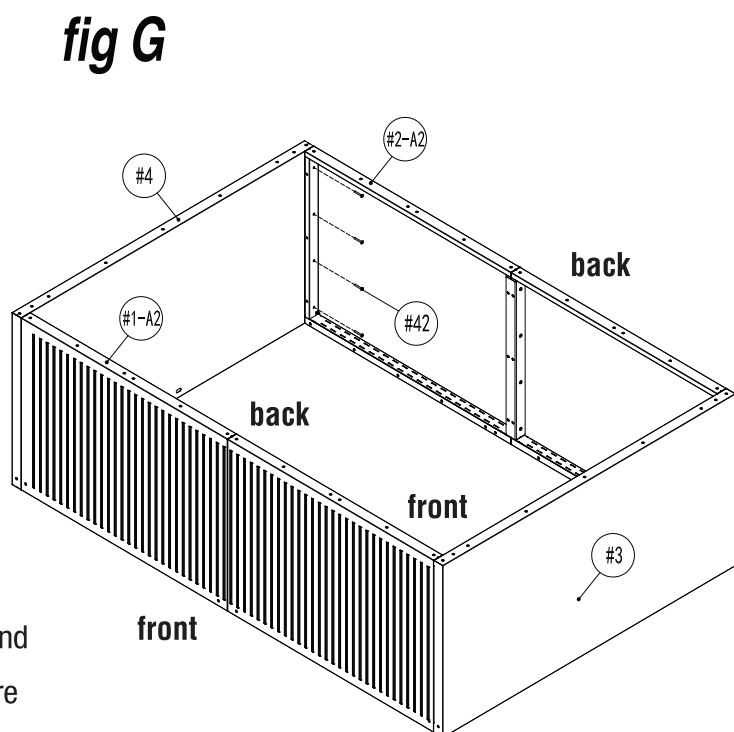
Note: Before tightening screws, make sure the bottom corners of Left Side Upper Panel and Right Side Upper Panels (#1-A1, #2-A1) are completely aligned with the back and front corners of Top Panel (#3).



7. Install Bottom Panel (#4) to Left Side Bottom Panel (#1-A2) and Right Side Bottom Panel (#2-A2).

Attach Bottom Panel (#4) to Left Side Bottom Panel (#1-A2) and Right Side Bottom Panel (#2-A2), line up screw holes, use 8 (#42) Screw G to tighten. (*fig G*)

Note: Before tightening screws, make sure the bottom corners of Left Side Bottom Panel and Right Side Bottom Panels (#1-A2, #2-A2) are completely aligned with the back and front corners of Bottom Panel (#4).



15 ASSEMBLY INSTRUCTIONS

8. Install Back Panels (#8, #9 and #10).

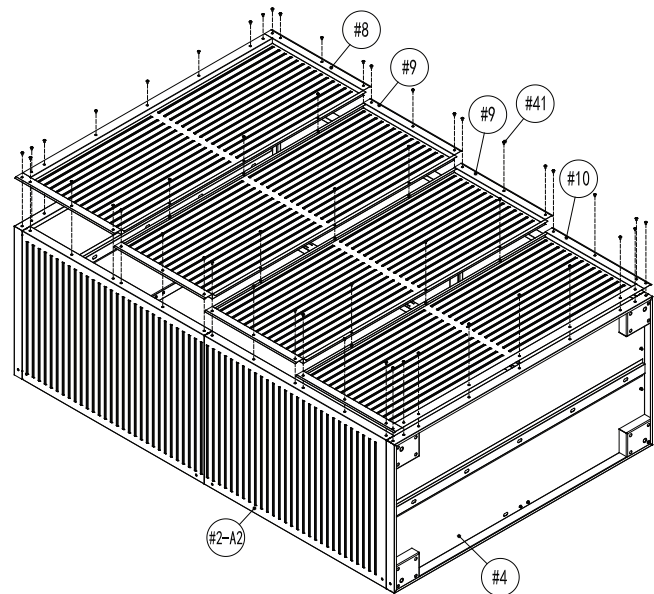
(fig H)

fig H

1). Attach Bottom Back Panel (#10) onto both Bottom of Left and Right Side Panels (#1-A2 and #2-A2) and Bottom Panel (#4), align screw holes, use 15 (#41) Screw F to tighten.

2). Attach both Middle Back Panel (#9) above Bottom Back Panel (#10) the same way. Place the groove of the Middle Back Panel (#9) onto the top edge of the Bottom Back Panel (#10), use 18 (#41) Screw F to tighten.

3). Use 18 (#41) Screw F to install Upper Back Panel (#8) the same way.



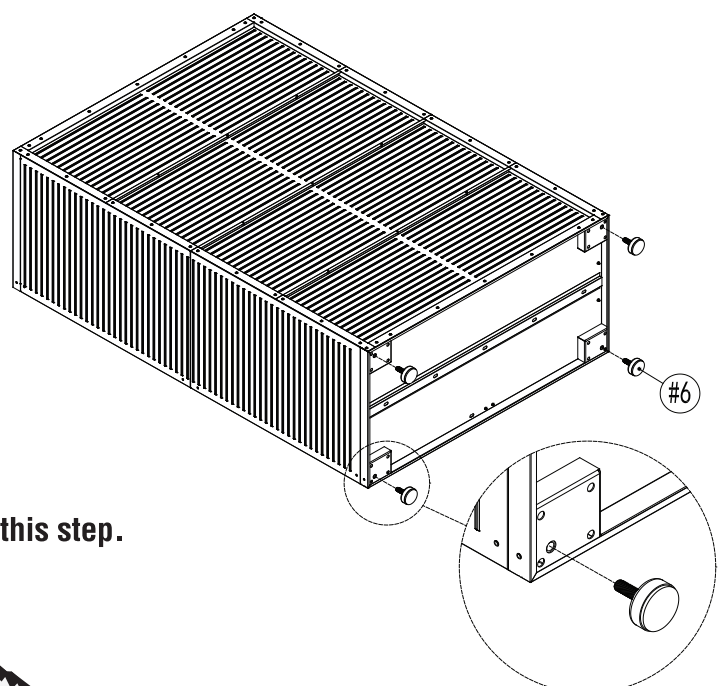
9. Install Leveling Feet (#6).

fig I

Attach Leveling Feet (#6) to the four side corner of Bottom Panel, (#4) use the Wrench (#25) to tighten. (fig I)

Note: Wheels are not included with this unit, however there are 4 screw holes built into the Bottom Panel (#4) for installation. Wheels can be purchased at www.SalmonBoy.ca

Rotate/Stand Storage Cabinet upright after this step.



ASSEMBLY INSTRUCTIONS 16

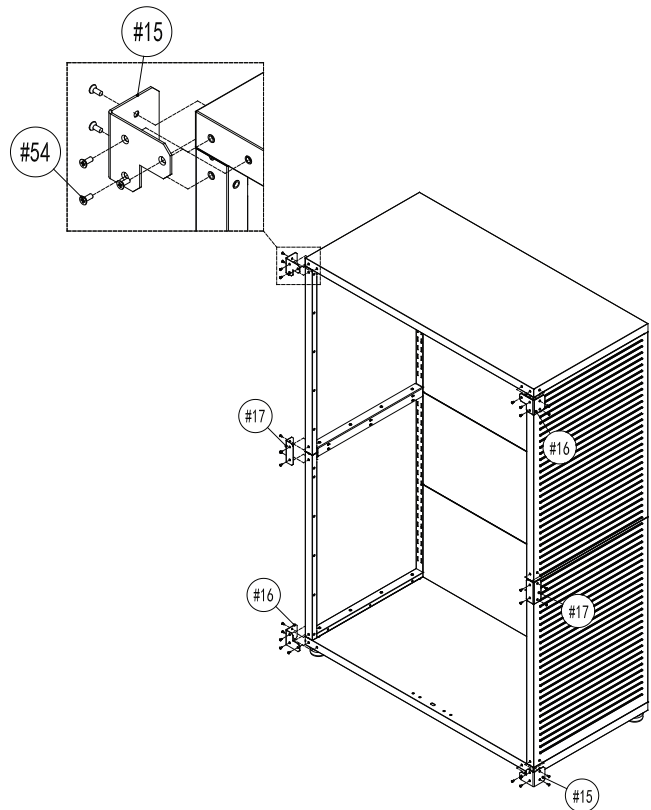
10. Install Corner Protections (#15, #16 and #17).

(fig J)

1). Attach Corner Protection A, B (#15, #16) onto Top and Bottom of the cabinet, use 20 (#54) Screw N to tighten.

2). Attach Middle Corner Protection (#17) to the middle of the Left Side Panel (#1-A) and Right Side Panel (#2-A), use 8 (#54) Screw N to tighten.

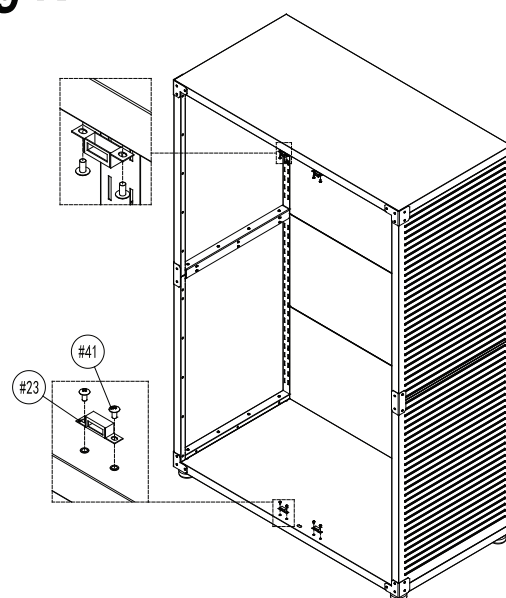
fig J



11. Install Magnet (#23).

Place Magnet (#23) onto Top Panel (#3) and Bottom Panel (#4) facing the front, use 8 (#41) Screw F to tighten. (fig K)

fig K



17 ASSEMBLY INSTRUCTIONS

12. Install Left and Right Doors (#6-A, #7-A).

(fig L)

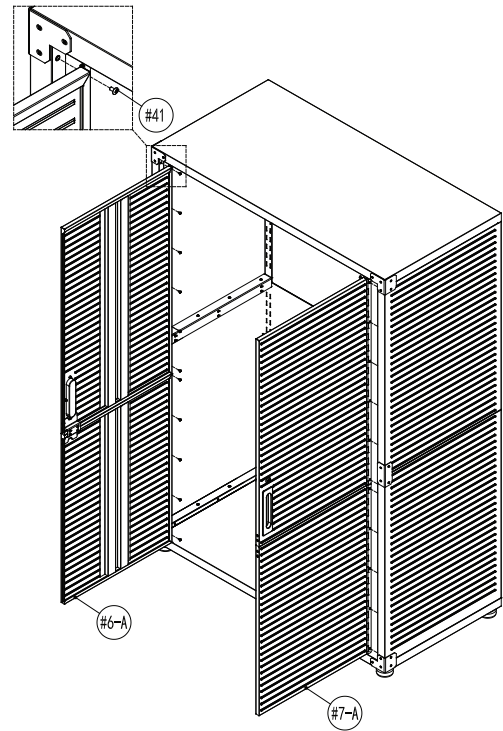
1). Attach Left Door (#6-A) to Left Side Panel (#1-A), use 11 (#41) Screw F to tighten.

Note: The screw holes on the door hinges have a slight spacing, enabling the door to be adjusted and centered in the door frame. Place top, middle and bottom Screws first. Don't tighten screws completely, allowing slight adjustments for leveling door panels later.

2). Install Right Door (#7-A) the same way.

Note: To help align the door panels in the door frame, the leveling feet may need to be adjusted.

fig L



ASSEMBLY INSTRUCTIONS 18

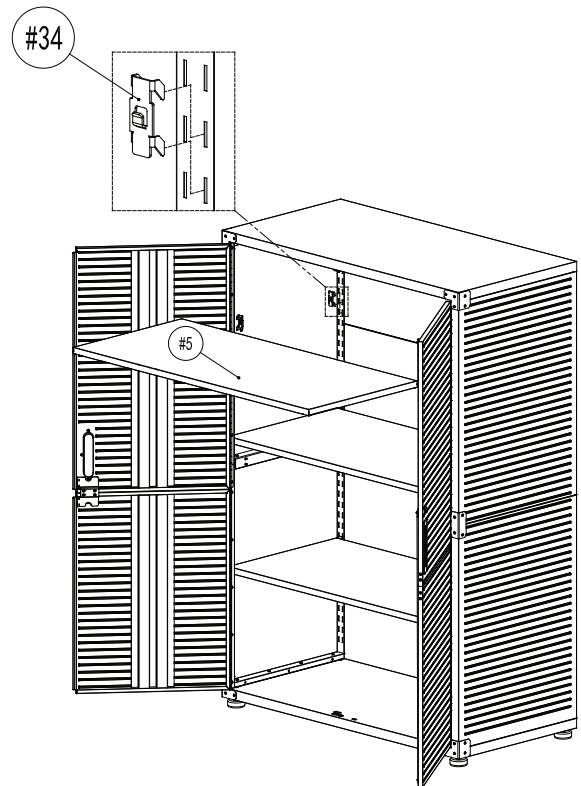
13. Install Middle Shelves (#5). (fig M)

fig M

1). Select the height for the Middle Shelves (#5).
Place 1 of (#34) Hook into the hook slots where
each corner of shelf should be placed. Make
sure the hooks are positioned at same height.

2). Put each Middle Shelf (#5) into cabinet and
lock down onto the Hooks (#34).

Note: All Middle Shelves (#5) need a hook at each corner
to support it.
150 lbs. maximum loading for each shelf.



19 WARRANTY



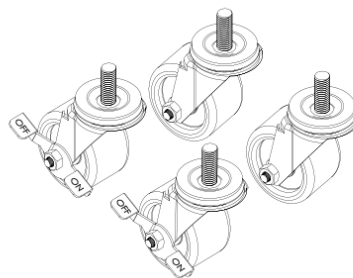
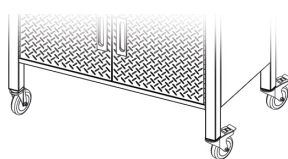
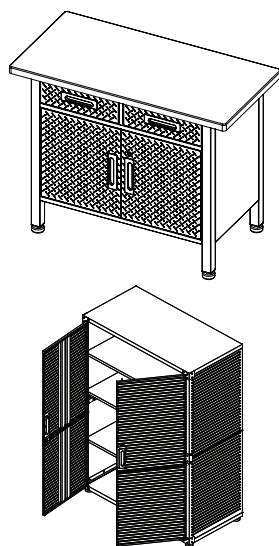
This BLACKCOMB® product carries a one-year limited warranty against defects in materials and workmanship. Subject to conditions and limitations described below, this product, if returned to us with proof of purchase within the stated warranty period and if covered under this warranty, will be repaired or replaced (with the same model, or one of equal value or specification), at our option. We will bear the cost of any repair or replacement of the product and any costs of labour relating thereto.

This warranty is subject to the following conditions and limitations :

- a. A bill of sale to verify the purchase and purchase date must be provided.
- b. This warranty will not apply to any product or part thereof that is worn or damaged or that has become inoperative due to abuse, misuse, accidental damage, neglect, or lack of proper installation, operation, or maintenance (as outlined in the applicable instruction manual or operating instructions), or that is being used for industrial, professional, commercial or rental purposes.
- c. This warranty will not apply to normal wear and tear or to expendable parts or accessories that may be supplied with the product that are expected to become inoperative or unusable after a reasonable period of use.
- d. This warranty will not apply where damage is caused by repairs made or attempted by others (i.e., persons not authorized by the manufacturer).
- e. This warranty will not apply to any product that was sold to the original purchaser as a reconditioned or refurbished product (unless otherwise specified in writing).
- f. This warranty will not apply to any product or part thereof if any part from another manufacturer is installed therein or any repairs or changes have been made or attempted by unauthorized persons.
- g. This warranty will not apply to normal deterioration of the exterior finish, such as, but not limited to, scratches, dents, paint chips, or to any corrosion or discolouring by heat, or abrasive and chemical cleaners.
- h. This warranty applies only to the original purchaser and may not be transferred. Neither the retailer nor the manufacturer shall be liable for any other expense, loss, or damage, including, without limitation, any indirect, incidental, consequential, or exemplary damages arising in connection with the sale, use or inability to use this product.

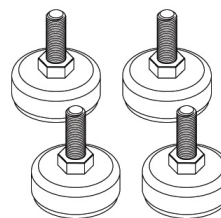
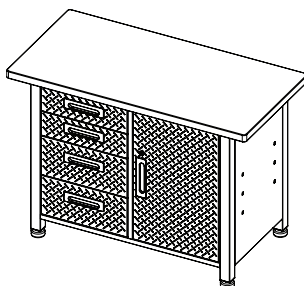
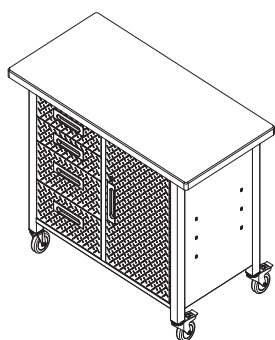
ADDITIONAL & SPARE PARTS 20

Salmon Boy Ltd. proudly provides additional and spare parts for your BLACKCOMB cabinets and workbenches. Feel free to contact us if you have any questions or need any additional, spare parts at 1-866-221-8146. Service@SalmonBoy.ca



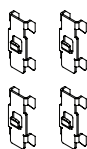
M14 wheel module

a set of 4 rolling casters (2 with breaks)
for 20248J, 16241J, 68-6364, 68-6365, 68-1221,
68-0667 cabinets/ workbenches



M12 Leveling feet

a set of 4 leveling feet for 68-1224 workbench



Extra shelf

a shelf with 4 hooks (if the shelf needs hooks)
for 20248J, 20209J, 16236J, 16241J, 20205J, 68-0558,
68-1224, 68-1226, 68-6364, 68-6365, 68-6366, 68-1221
or 68-0667 cabinets/ workbenches



Lock set

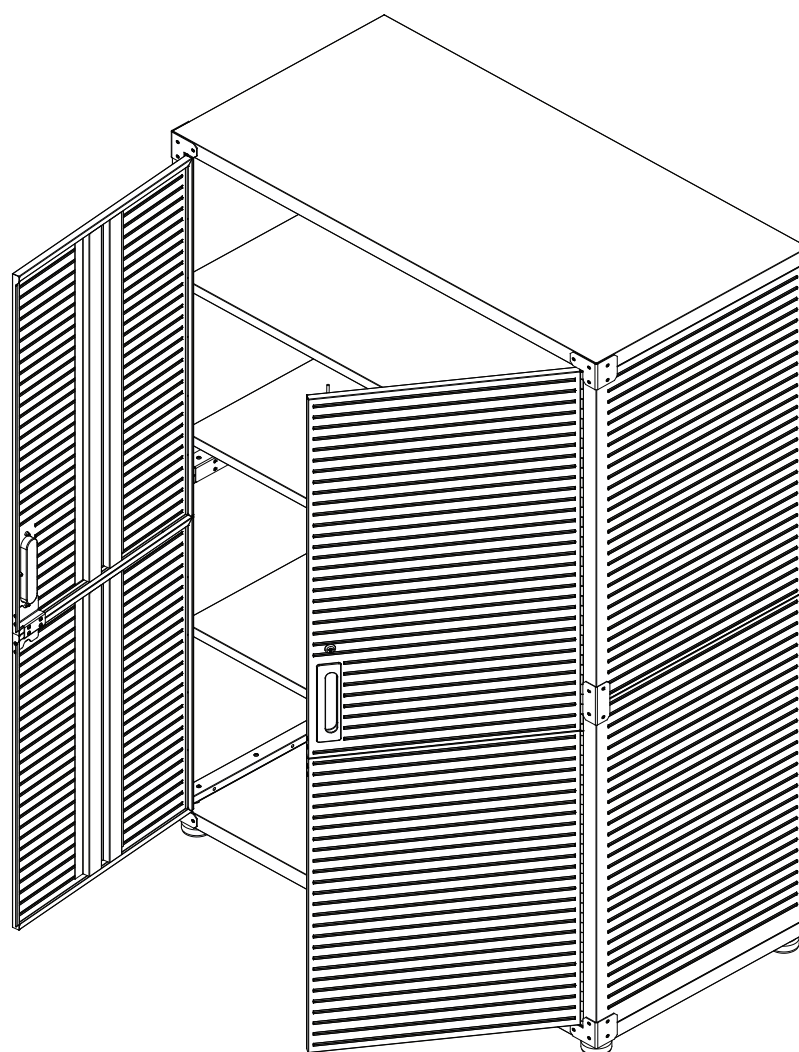
a new lock with 2 keys



16241J 48 po. L x 72 po. H x 24 po. P

GRANDE ARMOIRE DE RANGEMENT

GUIDE D'UTILISATION



**SI DES PIÈCES SONT MANQUANTES OU
ENDOMMAGÉES, OU POUR TOUTES
QUESTIONS, VEUILLEZ COMPOSER LE
1-866-221-8146.**

www.salmonboy.ca



Veillez lire attentivement ce guide d'utilisation avant d'utiliser ce produit. Il contient des consignes importantes relatives à votre sécurité ainsi que des conseils d'utilisation et d'entretien.

Conservez ce guide d'utilisation pour consultation ultérieure. Dans l'éventualité où ce produit est cédé à un tiers, veuillez également leur remettre ce guide.

**BLACKCOMB**

Grande armoire de rangement 16241J

TABLE DES MATIÈRES 2



SPÉCIFICATIONS TECHNIQUES	3
CONSIGNES DE SÉCURITÉ	4
VUE D'ENSEMBLE	5-6
LISTE DES PIÈCES	7-10
INSTRUCTIONS D'INSTALLATION	11-18
GARANTIE	19
PIÈCES DE RECHANGE ET SUPPLÉMENTAIRES	20





3 SPÉCIFICATIONS TECHNIQUES

Pièce	Charge maximale
Étagères	200 lb (90 kg) chacune
Panneau inférieur	250 lb (113 kg)
Charge maximale	850 lb (385,5 kg)



CONSIGNES DE SÉCURITÉ 4



Directives de sécurité

Ce guide contient des renseignements importants relatifs à la protection de la sécurité personnelle et la prévention des problèmes d'équipement. Il est très important de lire ce guide attentivement et de bien assimiler les directives avant d'assembler et d'utiliser ce produit. Veuillez notamment porter attention aux symboles et renseignements suivants.



Attention!

Danger potentiel pouvant entraîner des blessures modérées ou endommager le produit.

Important - Le mot « important » est utilisé dans le texte pour informer le lecteur de ce que l'utilisateur doit savoir à propos de cet outil.

RECOMMANDATIONS RELATIVES À LA SÉCURITÉ

Ces mesures de sécurité visent la sécurité personnelle de l'utilisateur et de toute autre personne utilisant ce produit. Le non-respect de ces instructions peut entraîner des blessures graves, voire fatales, des dommages à la propriété et/ou des dommages à l'équipement. Veuillez prendre le temps de lire et de bien comprendre ces instructions.



Attention!

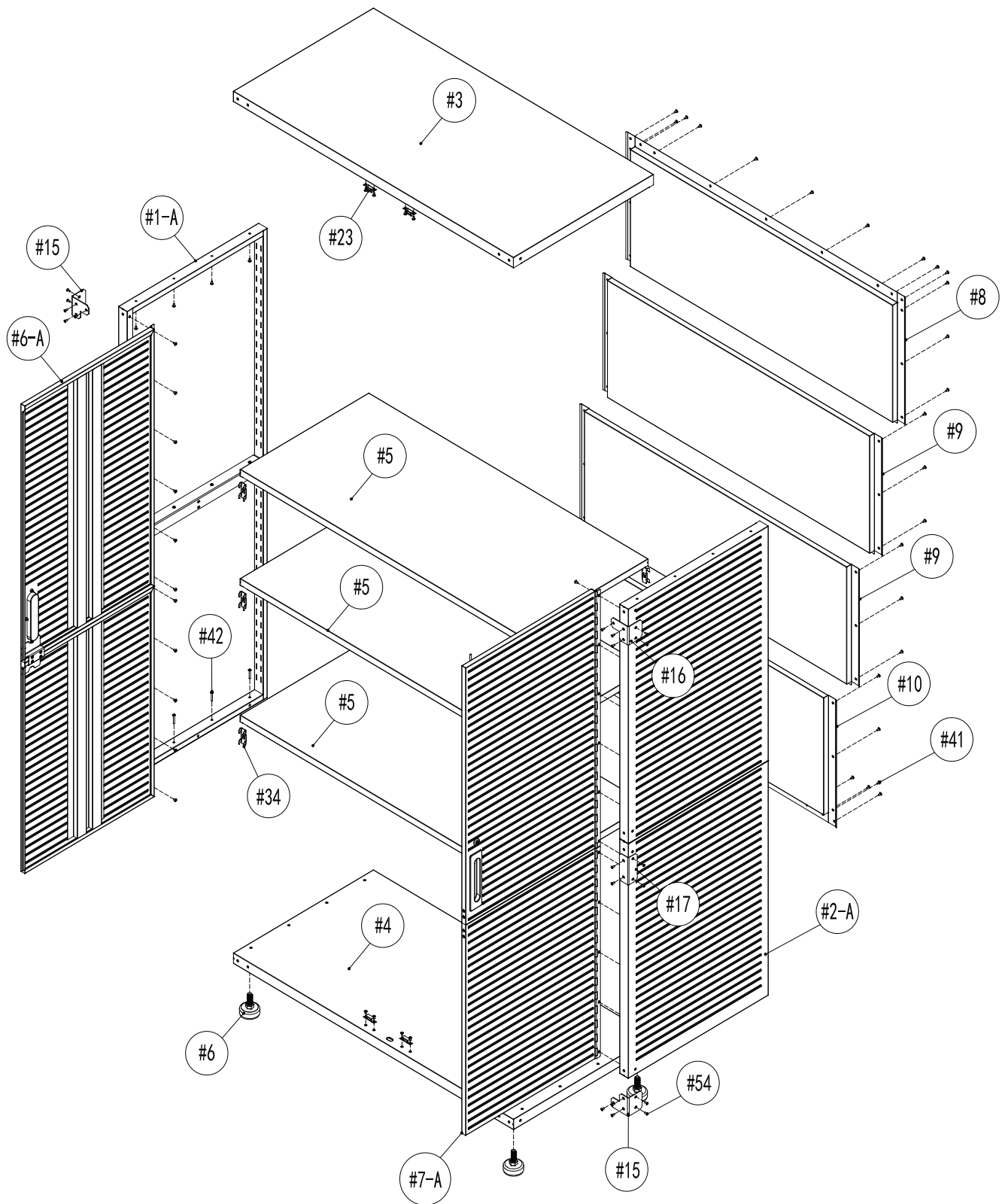
Danger potentiel pouvant entraîner des blessures modérées ou endommager le produit.

- Installez ce cabinet sur une surface plane.
- Ce produit est prévu uniquement pour un usage à l'intérieur.
- Utilisez un linge doux humide pour nettoyer ce cabinet.
- Veuillez ne pas grimper sur ce cabinet, ni l'utiliser comme échafaudage.
- Veuillez ne pas excéder la charge maximale prévue pour ce produit.
- L'assemblage et l'entretien de ce produit doivent être effectués par un adulte.
- Assurez-vous d'avoir suffisamment de main-d'œuvre lors de l'assemblage et du déplacement de ce cabinet.
- Vérifiez régulièrement l'état des vis de ce produit et resserrez-les au besoin.



Grande armoire de rangement 16241J

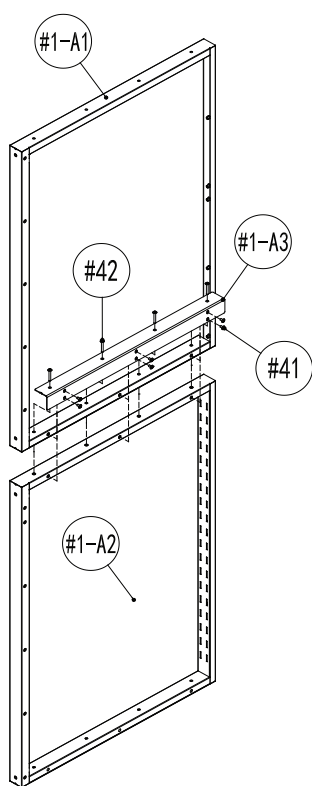
5 VUE D'ENSEMBLE



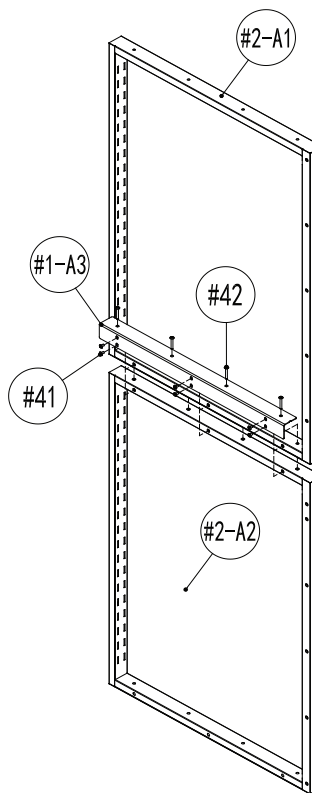
Grande armoire de rangement 16241J

VUE D'ENSEMBLE 6

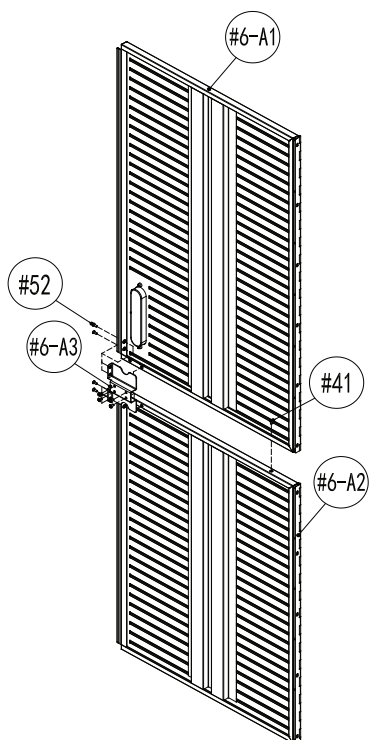
(#1-A) Panneau gauche



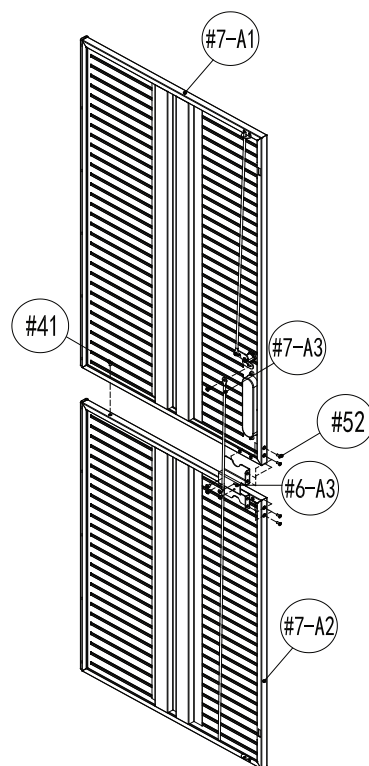
(#2-A) Panneau droit



(#6-A) Porte gauche

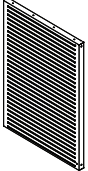
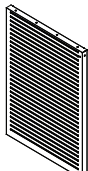
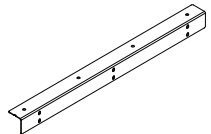
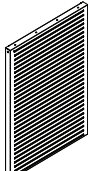
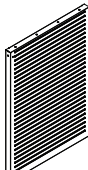
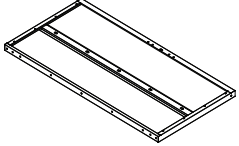
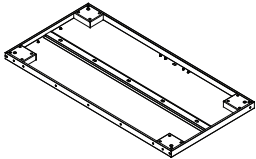
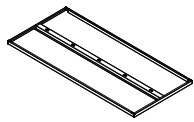


(#7-A) Porte droite

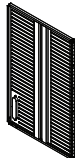
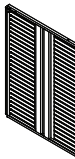
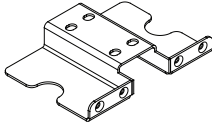

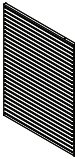
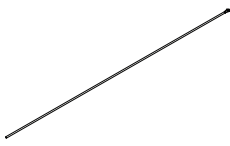
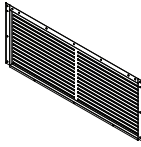
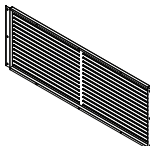


Grande armoire de rangement 16241J

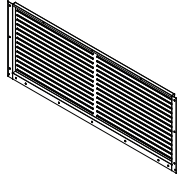
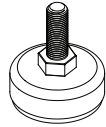
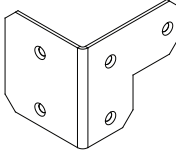
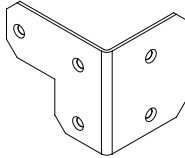
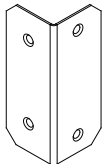
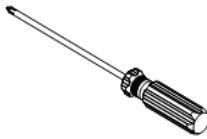
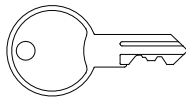
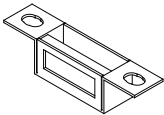
7 LISTE DES PIÈCES

Description	N° de pièce	Quantité	Schéma
Panneau gauche supérieur	# 1-A1	1	
Panneau gauche inférieur	# 1-A2	1	
Cornière de renforcement	# 1-A3	2	
Panneau droit supérieur	# 2-A1	1	
Panneau droit inférieur	# 2-A2	1	
Panneau supérieur	# 3	1	
Panneau inférieur	# 4	1	
Étagère du milieu	# 5	3	

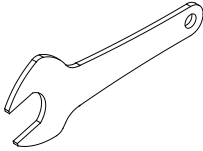
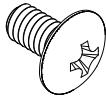
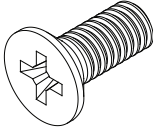
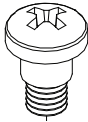
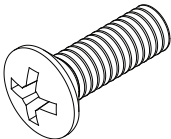
LISTE DES PIÈCES 8

Description	N° de pièce	Quantité	Schéma
Panneau supérieur - Porte gauche	# 6-A1	1	
Panneau inférieur - Porte gauche	# 6-A2	1	
Pièce de raccordement de panneaux de porte	# 6-A3	2	
Panneau supérieur - Porte droite	# 7-A1	1	
Panneau inférieur - Porte droite	# 7-A2	1	
Tige de verrouillage	# 7-A3	1	
Panneau arrière supérieur	# 8	1	
Panneau arrière du milieu	# 9	2	

9 LISTE DES PIÈCES

Description	N° de pièce	Quantité	Schéma
Panneau arrière inférieur	# 10	1	
Patte ajustable	# 6	4	
Protecteur de coin - A	# 15	2	
Protecteur de coin - B	# 16	2	
Protecteur de coin - Milieu	# 17	2	
Tournevis	# 21	1	
Clé	# 22	2	
Aimant	# 23	4	

LISTE DES PIÈCES 10

Description	N° de pièce	Quantité	Schéma
Clé	# 25	1	
Crochet	# 34	12	
Vis F (M4 x 8)	# 41	111	
Vis G (M4 x 30L)	# 42	16	
Vis K (M4 x 10L)	# 52	8	
Vis L (M4 x 6L)	# 53	1	
Vis N (M4 x 10L)	# 54	28	

11

INSTRUCTIONS D'INSTALLATION

Avant de commencer

- Assemblez ce meuble sur une surface propre et plane.
- Enlevez tous les articles de la boîte et assurez-vous que toutes les pièces énumérées aux pages 7-10 sont présentes.
- Lors de l'installation de pièces qui contiennent plus d'une vis, veuillez serrer toutes les vis à la main avant de les resserrer à l'aide du tournevis fourni.

Conseil: Un tournevis magnétique est inclus. Si vous utilisez un tournevis électrique, veuillez utiliser un faible couple de rotation.

Avertissement: Il est préférable de porter des gants lors de l'assemblage de ce meuble étant donné que les bords de certaines pièces peuvent être coupants.

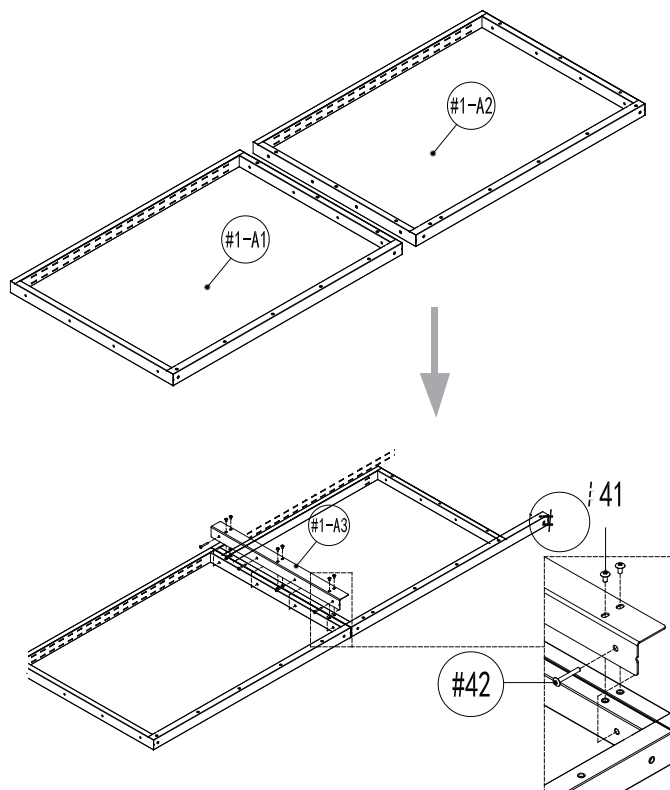
Instructions d'installation

1. Installation du Panneau gauche. (#1-A)

Placez le Panneau gauche supérieur (#1-A1) et le Panneau gauche inférieur (#1-A2) l'un à côté de l'autre, installez la Cornière de renforcement (#1-A3) sur les côtés contigus, alignez les orifices des vis, utilisez quatre Vis G (#42) sur les côtés et six Vis F (#41) sur le dessus. (*fig A*)

Important: Assurez-vous que Panneau gauche supérieur (#1-A1) est bien aligné sur le Panneau gauche inférieur (#1-A2).

fig A

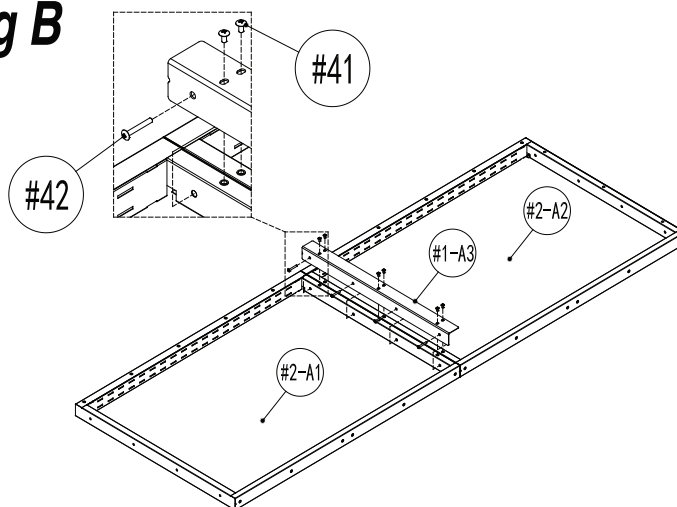


INSTRUCTIONS D'INSTALLATION 12

2. Installation du Panneau droit (#2-A).

Répétez l'Étape 1 en utilisant le Panneau droit supérieur (#2-A1), le Panneau droit inférieur (#2-A2) et la Cornière de renforcement (#1-A3). Serrez le tout à l'aide de quatre Vis G (#42) et de six Vis F (#41). (fig B)

fig B

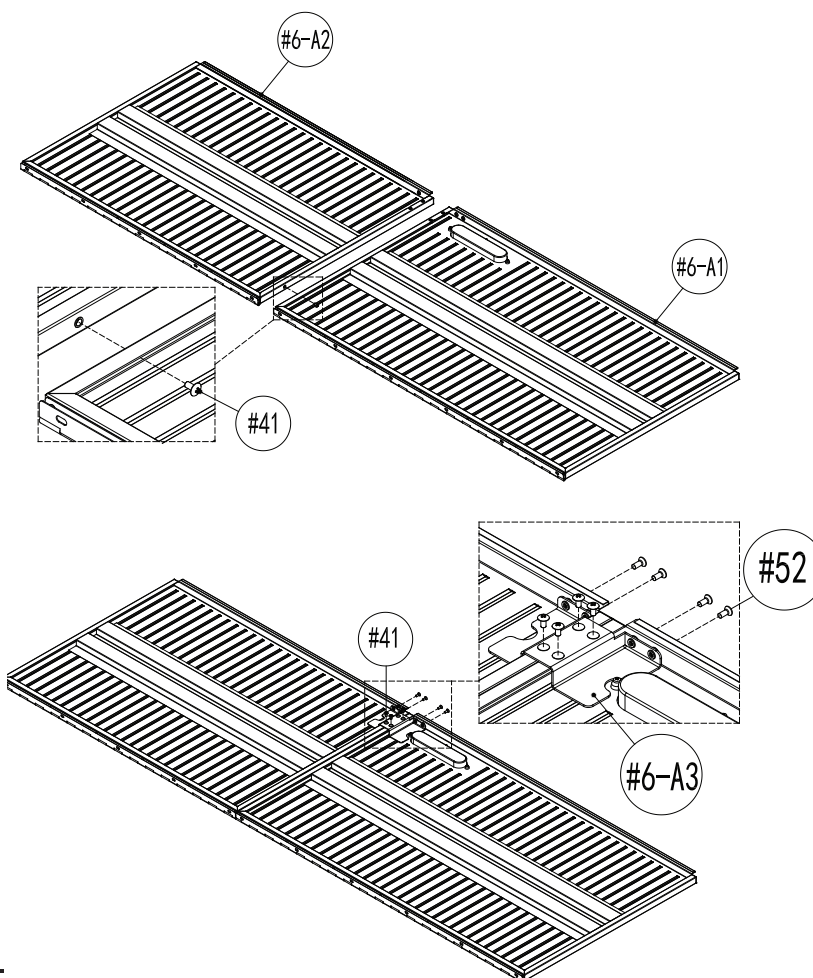


3. Installation de la Porte gauche (#6-A). (fig C)

1). Placez le Panneau supérieur – Porte gauche (#6-A1) et le Panneau inférieur – Porte gauche (#6-A2) l'un à côté de l'autre, alignez les orifices des vis et utilisez une Vis F (#41) pour serrer sur les côtés.

2). Installez la Pièce de raccordement de panneaux de porte (#6-A3) sur les côtés contigus, alignez les orifices des vis, utilisez quatre Vis F (#41) sur le dessus et quatre Vis K (#52) sur le côté extérieur.

fig C



Important: Assurez-vous que le Panneau supérieur – Porte gauche (#6-A1) est aligné sur le Panneau inférieur – Porte gauche (#6-A2).



Grande armoire de rangement 16241J

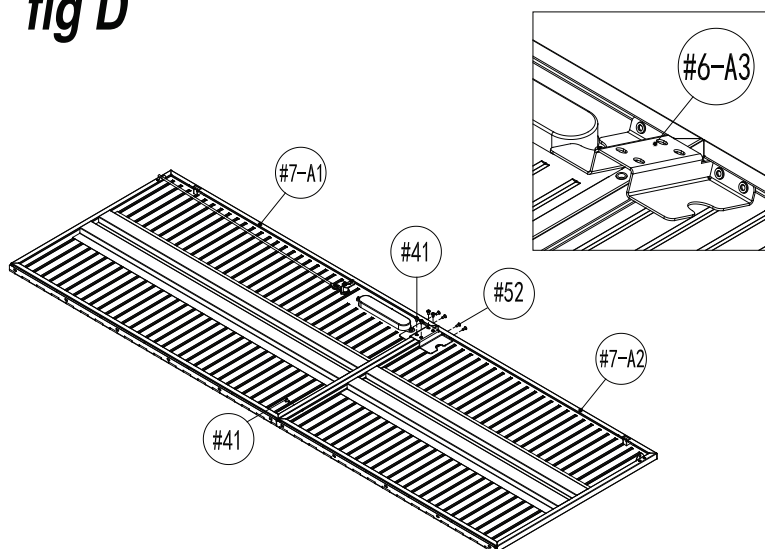
13 INSTRUCTIONS D'INSTALLATION

4. Installation de la Porte droite (#7-A).

(fig D)

Répétez l'Étape 3 en utilisant le Panneau supérieur – Porte droite (#7-A1), le Panneau inférieur – Porte droite (#7-A2) et la Pièce de raccordement de panneaux de porte (#6-A3). Utilisez une Vis F (#41) pour visser les côtés contigus latéraux, quatre Vis F (#41) pour visser les côtés contigus du dessus et quatre Vis K (#52) pour visser à partir du côté extérieur.

fig D



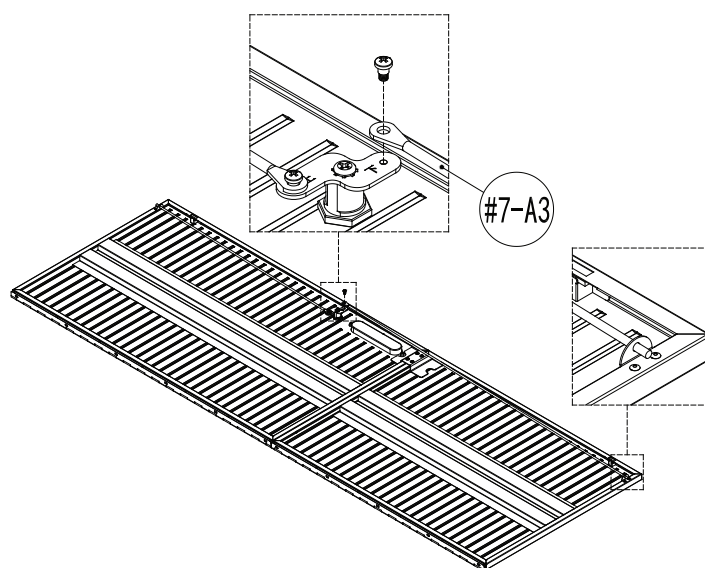
Important: Assurez-vous que le Panneau supérieur – Porte droite (#7-A1) est aligné sur le Panneau inférieur – Porte droite (#7-A2).



5. Installation de la Tige de verrouillage (#7-A3). (fig E)

Insérez la Tige de verrouillage (#7-A3) dans la fente inférieure du Panneau inférieur – Porte droite (#7-A2), dévissez la Vis L (#53) préinstallée sur la plaque de liaison de la tige, attachez la Tige de verrouillage (#7-A3) en alignant les orifices des vis et en resserrant la Vis L (#53).

fig E



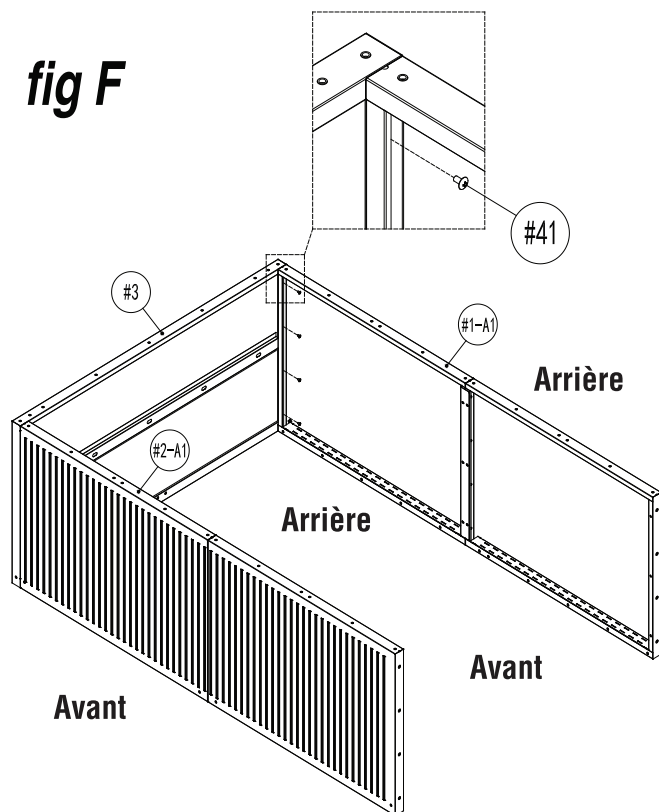
Grande armoire de rangement 16241J

INSTRUCTIONS D'INSTALLATION 14

6. Installation du Panneau supérieur (#3) sur le Panneau gauche supérieur (#1-A1) et le Panneau droit supérieur (#2-A1).

Attachez le Panneau supérieur (#3) au Panneau gauche supérieur (#1-A1) et au Panneau droit supérieur (#2-A1). Assurez-vous que le devant du panneau supérieur fait face vers le bas. Aalignez les orifices des vis, vissez le tout à l'aide de huit Vis F (#41). (*fig F*)

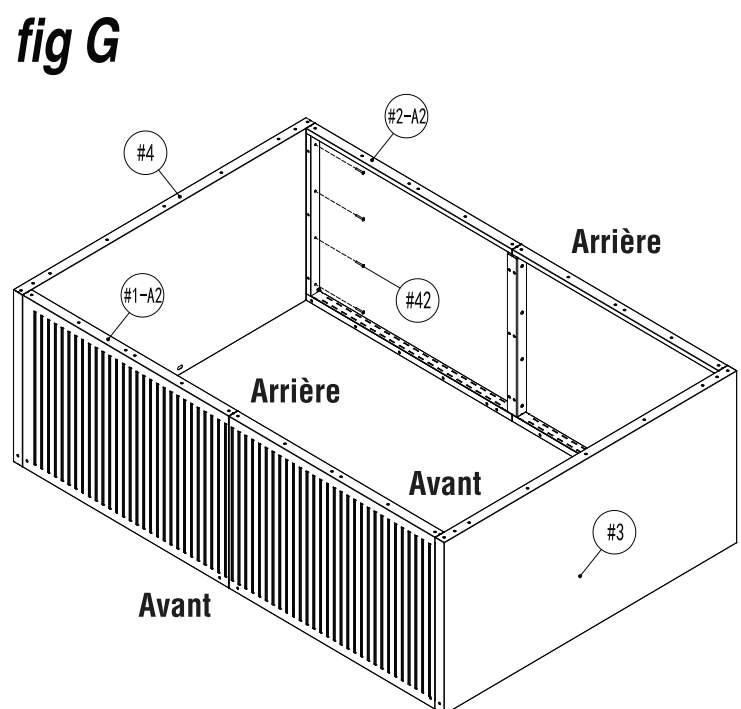
Important : Avant de serrer les vis, assurez-vous que les coins supérieurs du Panneau gauche supérieur (#1-A1) et du Panneau droit supérieur (#1-A2) sont alignés sur les coins arrière et avant du Panneau supérieur (#3).



7. Installation du Panneau inférieur (#4) sous le Panneau gauche inférieur (#1-A2) et le Panneau droit inférieur (#2-A2).

Attachez le Panneau inférieur (#4) au Panneau gauche inférieur (#1-A2) et au Panneau droit inférieur (#2-A2). Aalignez les orifices des vis et serrez le tout à l'aide de huit Vis G (#42). (*fig G*)

Important: Avant de serrer les vis, assurez-vous que les coins inférieurs du Panneau gauche inférieur (#1-A2) et du Panneau droit inférieur (#2-A2) sont alignés sur les coins arrière et avant du Panneau inférieur (#4).



15 INSTRUCTIONS D'INSTALLATION

8. Installation des Panneaux arrière

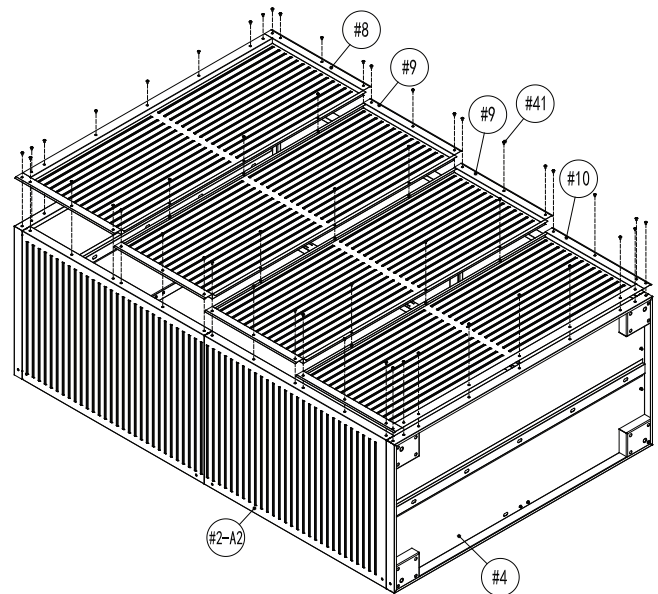
(#8, #9 et #10). (fig H)

1). Attachez le Panneau arrière inférieur (#10) aux Panneaux gauche et droit inférieurs (#1-A1 et #2-A2) et au Panneau inférieur (#4). Alignez les orifices des vis et serrez à l'aide de quinze Vis F (#41).

2). Attachez les deux Panneaux arrière du milieu (#9) au-dessus du Panneau arrière inférieur (#10) en suivant les mêmes étapes. Placez la rainure du Panneau du milieu (#9) sur l'arête supérieure du Panneau arrière inférieur (#10) et vissez le tout à l'aide de 18 Vis F (#41).

3). Installez le Panneau arrière supérieur (#8) en suivant les mêmes étapes et en utilisant 18 Vis F (#41).

fig H



9. Installation des Pattes ajustables (#6).

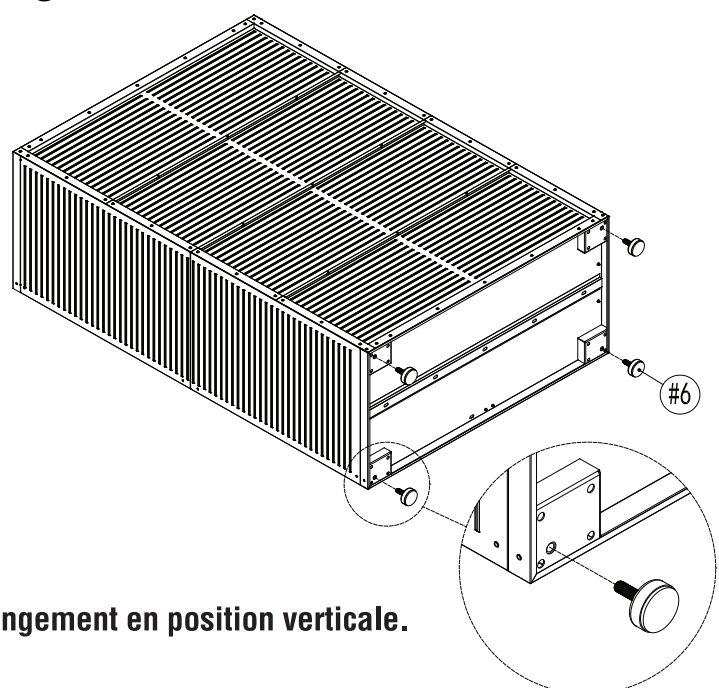
fig I

Installez les Pattes ajustables (#6) aux quatre coins du Panneau inférieur (#4) à l'aide de la Clé (#25). (fig I)

Important: Ce meuble ne comprend pas de roulettes.

Toutefois, le Panneau inférieur (#4) comprend quatre orifices de vis à cette fin. Vous pouvez vous procurer des roulettes en consultant le www.SalmonBoy.ca.

Après cette étape, remettez l'armoire de rangement en position verticale.



BLACKCOMB

Grande armoire de rangement 16241J

INSTRUCTIONS D'INSTALLATION 16

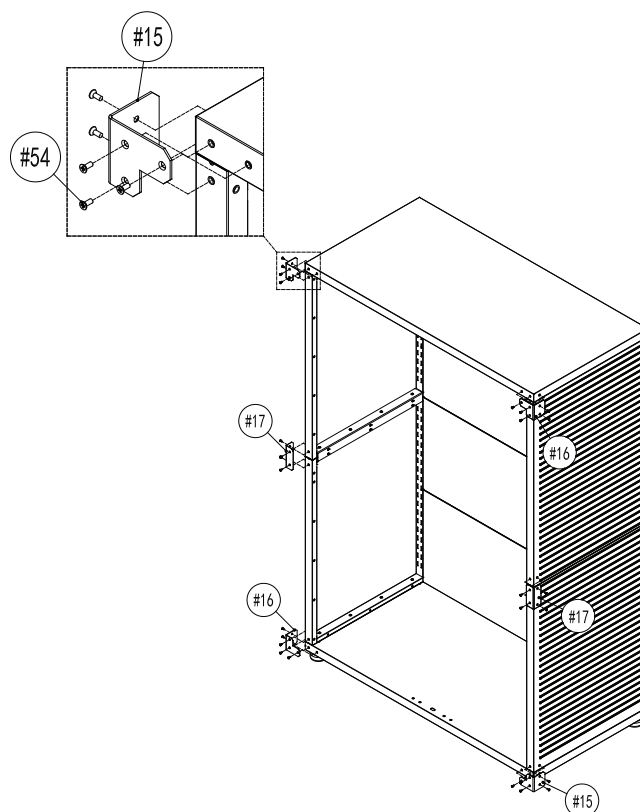
10. Installation des Protectors de coins

(#15, #16 et #17). (fig J)

1). Installez les Protectors de coins – A et B (#15 et #16) au-dessus et au bas de l'armoire à l'aide de 20 Vis N (#54).

2). Installez les Protectors de coin – Milieu (#17) au milieu du Panneau gauche (#1-A) et au milieu du Panneau droit (#2-A) à l'aide de huit Vis N (#54).

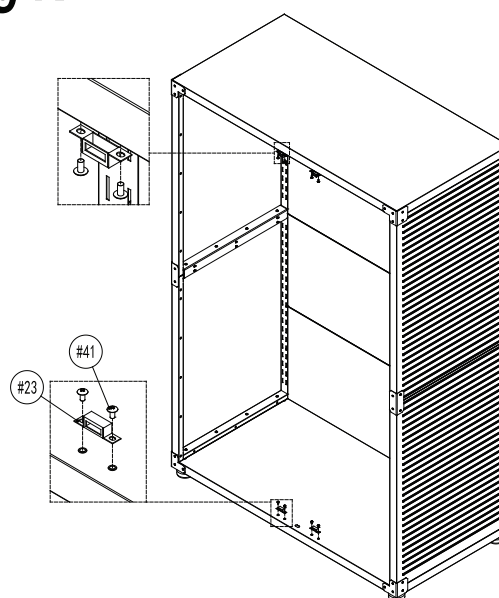
fig J



11. Installation de l'Aimant (#23).

Installez les aimants (#23) sur la façade avant du Panneau supérieur (#3) et du Panneau inférieur (#4) à l'aide de huit Vis F (#41). (fig K)

fig K



Grande armoire de rangement 16241J

17 INSTRUCTIONS D'INSTALLATION

12. Installation des Portes gauche et droite

(#6-A et #7-A). (fig L)

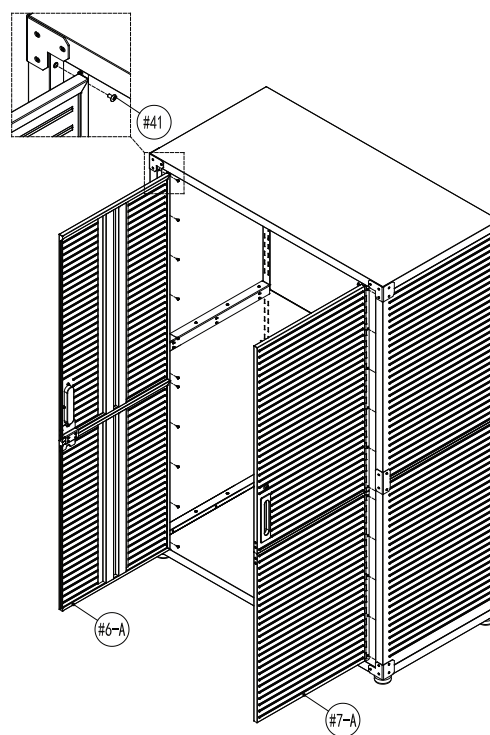
1). Attachez la Porte gauche (#6-A) au Panneau gauche (#1-A) l'aide de onze Vis F (#41).

Important : Le diamètre des orifices des vis des charnières des portes est un peu plus grand que requis de façon à pouvoir ajuster et centrer les portes dans le cadre. Installez d'abord les vis du dessus, ensuite celles du milieu et enfin celles du bas. Ne resserrez pas les vis complètement afin de pouvoir ultérieurement ajuster la mise à niveau des portes.

2). Installez la Porte droite (#7-A) en suivant les mêmes étapes.

Important : Vous devrez possiblement ajuster la hauteur des pattes pour faciliter l'alignement des portes dans le cadre.

fig L



INSTRUCTIONS D'INSTALLATION 18

13. Installation des Étagères du milieu (#5).

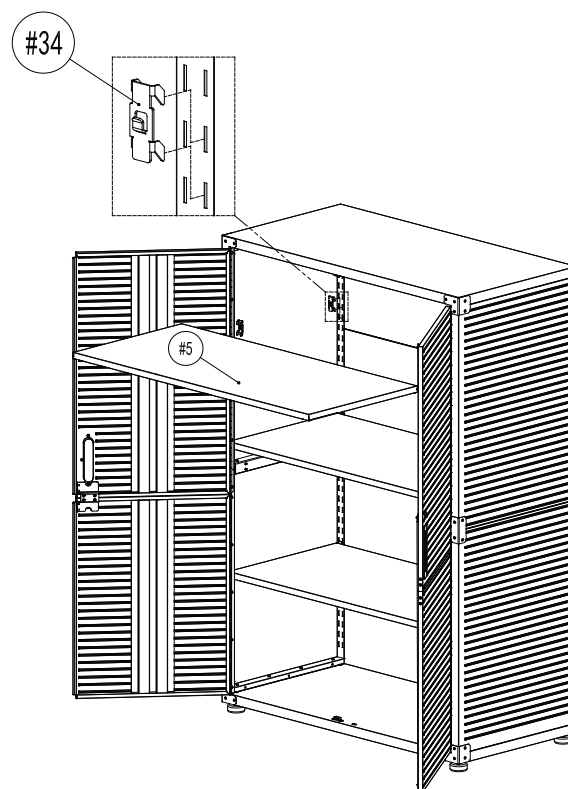
(fig M)

1). Déterminez la hauteur de chaque Étagère du milieu (#5). Installez un Crochet (#34) dans chaque fente prévue pour les coins de l'étagère. Assurez-vous d'installer tous les crochets à la même hauteur.

2). Installez l'Étagère du milieu (#5) dans le meuble et sécurisez-la en place en poussant vers les Crochets (#34).

Important : Les Étagères du milieu (#5) nécessitent un crochet aux quatre coins à titre de support. La charge maximale de chaque étagère est de 150 lb.

fig M



Grande armoire de rangement 16241J

19 GARANTIE



Ce produit BLACKCOMB® comprend une garantie limitée d'un an contre les défauts de fabrication et de matériaux. Sujet aux conditions et aux limitations énumérées ici-bas, ce produit, s'il nous est retourné accompagné d'une preuve d'achat à l'intérieur des délais spécifiés sous la garantie et si couvert par ladite garantie, sera réparé ou remplacé (avec un modèle identique ou un modèle de qualité ou valeur comparable) à notre discrétion. Nous assumerons les coûts de réparation ou de remplacement du produit ainsi que les coûts de main-d'œuvre y afférents.

Cette garantie est sujette aux conditions et aux limitations suivantes :

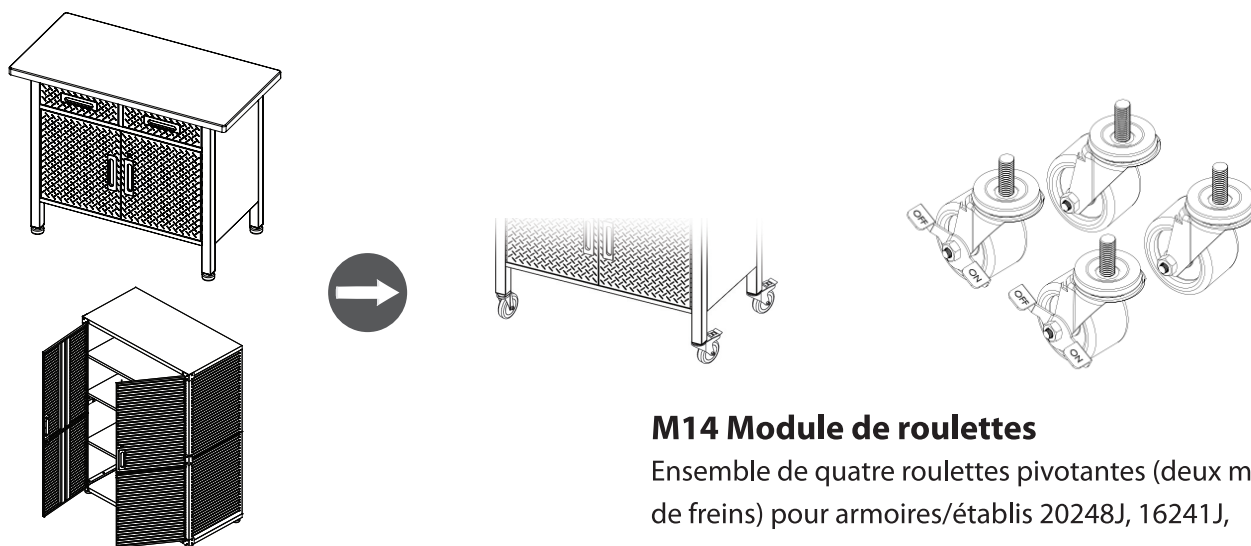
- a. Une preuve d'achat indiquant la date d'achat doit être fournie.
- b. La présente garantie ne s'applique pas aux produits ou aux pièces de produit usés ou endommagés ou rendus non-opérationnels en raison d'un usage abusif ou inapproprié, de dommages accidentels, de négligence ou en raison d'une installation, d'une utilisation ou d'un entretien inappropriés (tel que spécifié dans le guide d'utilisation ou le guide d'opération applicables), ou d'un usage industriel, professionnel, commercial ou à des fins de location.
- c. La présente garantie ne s'applique pas à l'usage normal ou aux pièces ou accessoires consommables pouvant être fournis avec ce produit et dont l'usage est prévu être inopérant ou inutilisable suivant une période raisonnable d'utilisation.
- d. La présente garantie ne s'applique pas aux dommages causés suite à des réparations complètes ou partielles effectuées par des tiers (i.e. personnes non autorisées par le fabricant).
- e. La présente garantie ne s'applique pas aux produits vendus à l'acheteur original à titre de produits remis à neuf (sauf mention contraire indiquée par écrit).
- f. La présente garantie ne s'applique pas aux produits ou pièces de ces produits si lesdits produits ou pièces contiennent des parties provenant d'un autre fabricant ou si des modifications ou des réparations complètes ou partielles ont été effectuées par un tiers non autorisé.
- g. La présente garantie ne s'applique pas à la détérioration normale du fini extérieur, y compris (mais sans limitations) les éraflures, les bosses, les éclats de peinture, ou toute corrosion ou décoloration causées par la chaleur, ou l'utilisation de nettoyants abrasifs et chimiques.
- h. La présente garantie ne s'applique qu'à l'acheteur d'origine et ne peut être transférée. Ni le détaillant, ni le fabricant ne seront tenus responsables en cas de dépense, perte, dommage, y compris et sans limitations, toute perte indirecte, dommage consécutif ou dommage punitif liés à la vente, l'utilisation ou l'impossibilité d'utiliser ce produit.



Grande armoire de rangement 16241J

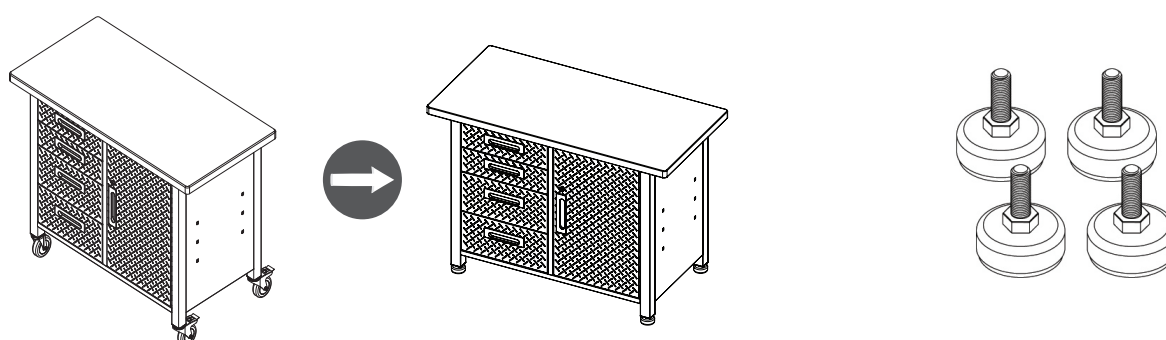
PIÈCES DE RECHANGE ET ADDITIONNELLES 20

Salmon Boy Ltd. est fier de fournir des pièces de rechange et des pièces additionnelles pour vos armoires et établis BLACKCOMB. N'hésitez pas à nous contacter pour commander ces pièces ou pour toutes questions au 1-866-221-8146. Service@SalmonBoy.ca



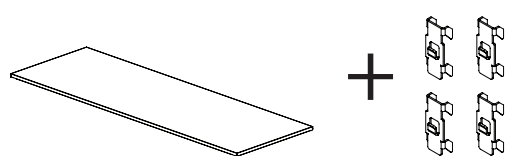
M14 Module de roulettes

Ensemble de quatre roulettes pivotantes (deux munies de freins) pour armoires/établis 20248J, 16241J, 68-6364, 68-6365, 68-1221, 68-0667.



M12 Pattes ajustables

Ensemble de quatre pattes ajustables pour établis 68-1224.



Étagères supplémentaires

Étagères munies de quatre crochets (si requis) pour armoires/établis 20248J, 20209J, 16236J, 16241J, 20205J, 68-0558, 68-1224, 68-1226, 68-6364, 68-6365, 68-6366, 68-1221, ou 68-0667.



Serrure

Nouvelle serrure comprenant deux clés.



Grande armoire de rangement 16241J

