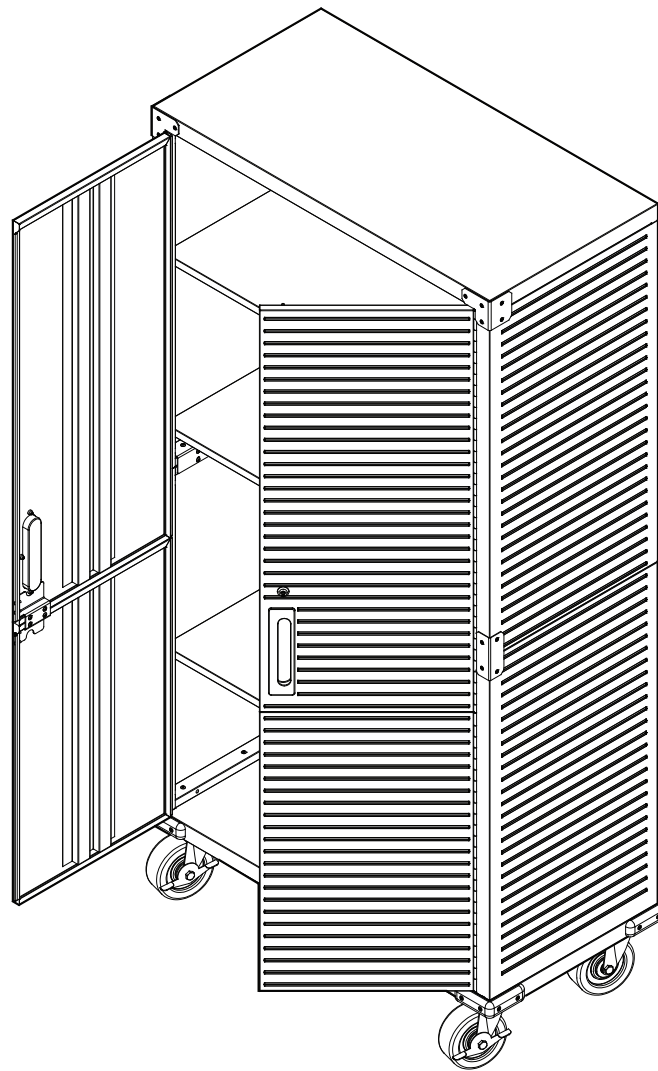


16236J 36" W x 72" H x 18" D

STORAGE CABINET

INSTRUCTION MANUAL



**IF ANY PARTS ARE
MISSING OR DAMAGED,
OR IF YOU HAVE ANY
QUESTIONS, PLEASE CALL
1-866-221-8146.**

www.salmonboy.ca



Read and understand this instruction manual thoroughly before using the product. It contains important information for your safety, as well as operating and maintenance advice.

Keep this instruction manual for future use. Should this product be passed on to a third party, this instruction manual must be included.



Storage Cabinet 16236J

TABLE OF CONTENTS 2



TECHNICAL SPECIFICATIONS	3
SAFETY GUIDELINES	4
EXPLODED VIEW	5-6
PACKAGE CONTENTS	7-10
ASSEMBLY INSTRUCTIONS	11-18
WARRANTY	19
ADDITIONAL AND SPARE PARTS	20



3 TECHNICAL SPECIFICATIONS

Component	Maximum load
Each shelf	150 lb (68 kg)
Bottom panel	150 lb (68 kg)

Note: Maximum load for the cabinet is 600 lb (270 kg).

SAFETY GUIDELINES 4



Safety guidelines

Crucial information that relates to protecting your personal safety and to prevent equipment issues are contained in this manual. It is in your best interest to read this manual carefully beforehand and understand it thoroughly before assembling and using the product. Below are the symbols used to indicate this information.



CAUTION!

Potential hazard that may result in moderate injury or damage to equipment.

Note - The word “Note” is used to inform the reader of something the user needs to know about the tool.

SAFETY RECOMMENDATIONS

These safety precautions are for the personal safety of the user and others working on the product. Failure to comply with these instructions may cause in serious or even fatal injury, property damage and/ or equipment damage. Take time to read the instructions and fully understand them.

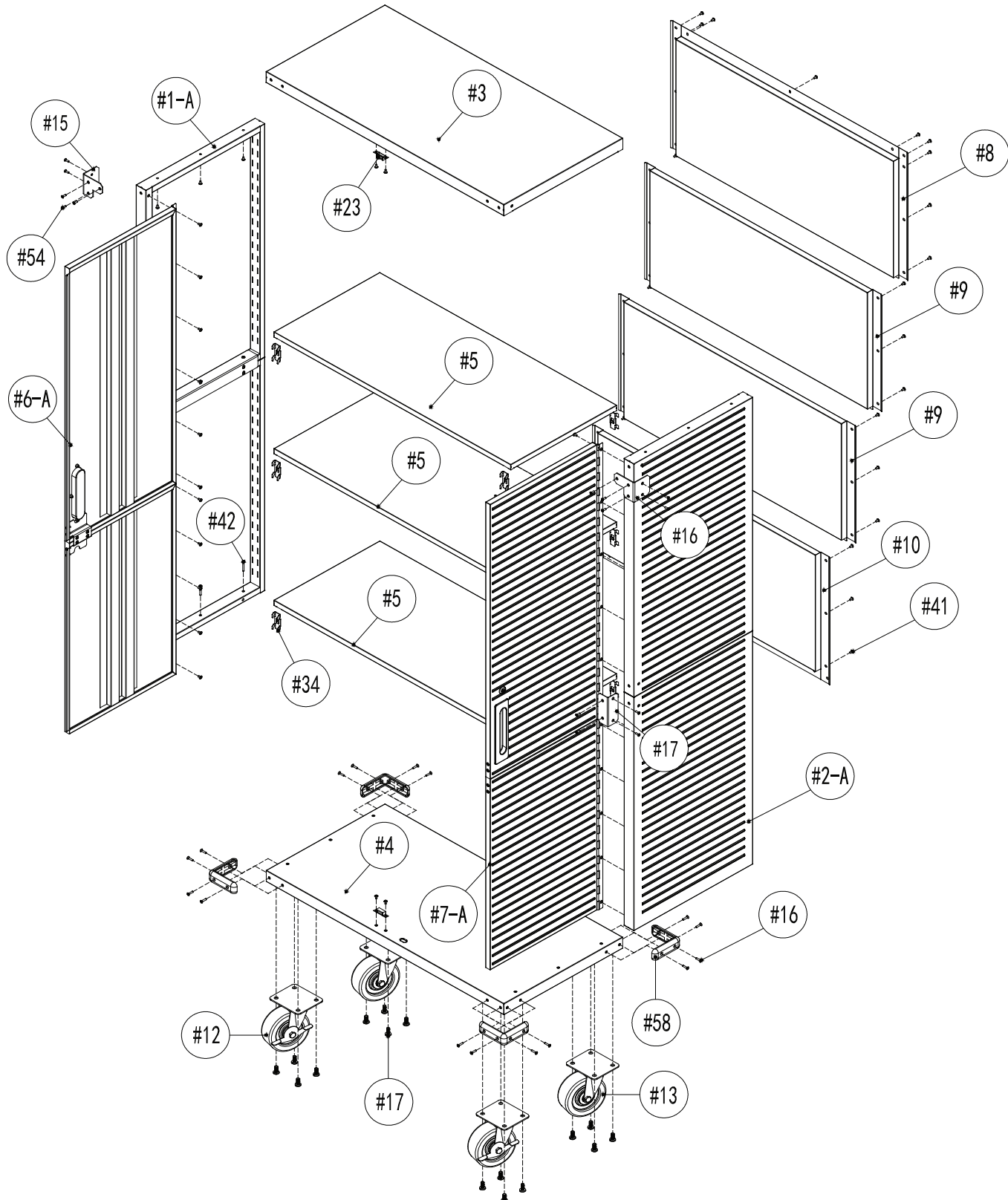


CAUTION!

Potential hazard that may result in moderate injury or damage to equipment.

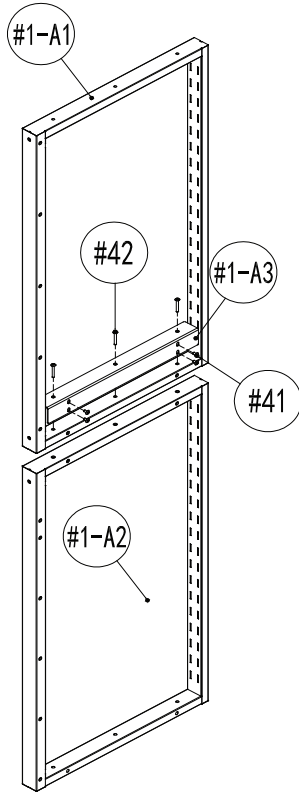
- Place the cabinet on a level surface.
- This product is intended for indoor use only.
- When cleaning use a soft damp to clean the cabinet.
- Do not stand on cabinet, and do not use it as a scaffold.
- Please do not exceed the weight limit specified for this product.
- Any assembly or maintenance of the product must be carried out by adults only.
- Arrange for the necessary man power when assembling and moving the cabinet.
- Check all screws periodically and tighten them, if required.

5 EXPLODED VIEW

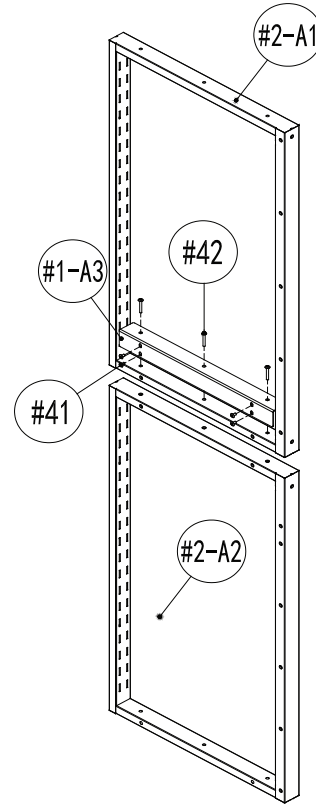


EXPLODED VIEW 6

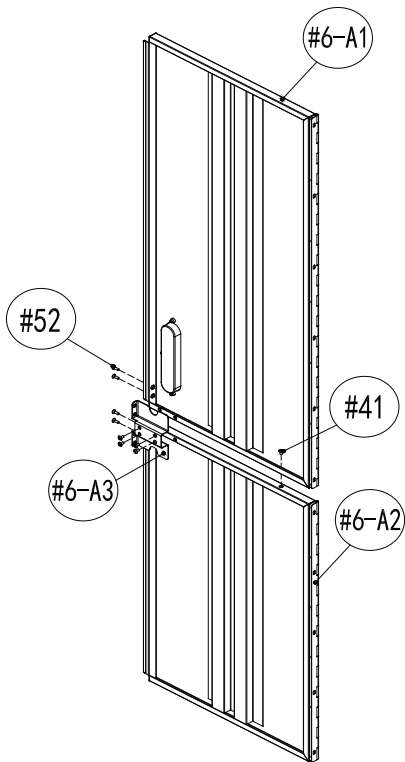
(#1-A) Left Side Panel



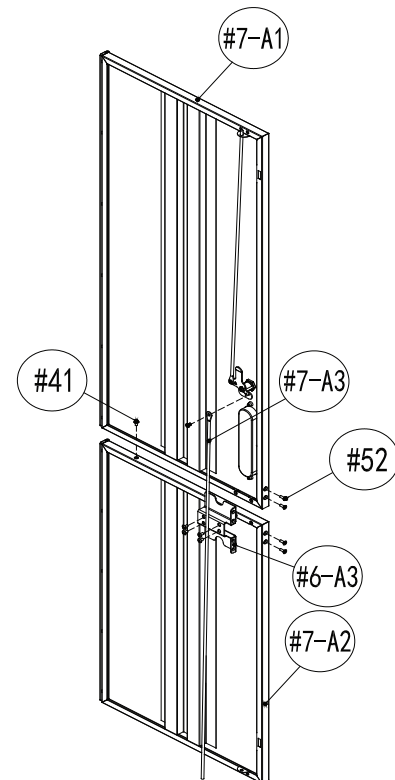
(#2-A) Right Side Panel



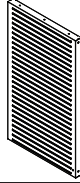
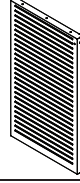
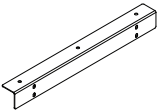
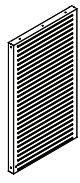
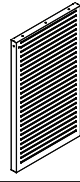
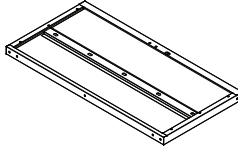
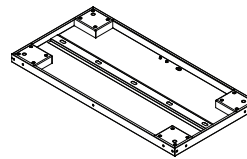
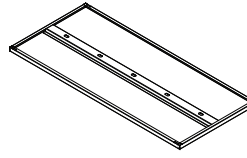
(#6-A) Left Door



(#7-A) Right Door



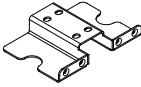


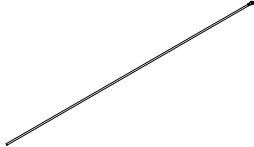
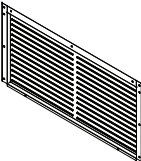
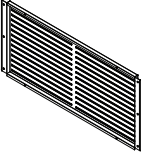


7 PACKAGE CONTENTS

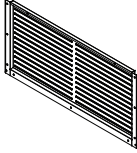
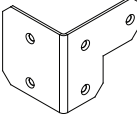
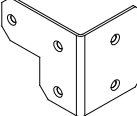
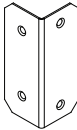
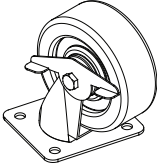
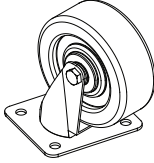
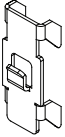
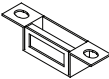
Name	Part No.	Qty	Illustration
Left Side - Upper Panel	# 1-A1	1	
Left Side - Bottom Panel	# 1-A2	1	
Side Panel Reinforcement Connection Part	# 1-A3	2	
Right Side - Upper Panel	# 2-A1	1	
Right Side - Bottom Panel	# 2-A2	1	
Top Panel	# 3	1	
Bottom Panel	# 4	1	
Middle Shelf	# 5	3	

PACKAGE CONTENTS 8

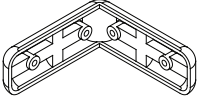
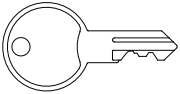
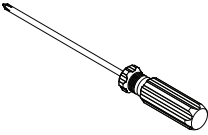
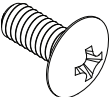
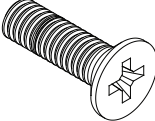
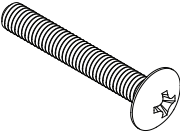
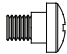

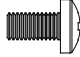



Name	Part No.	Qty	Illustration
Left Door - Upper Panel	# 6-A1	1	
Left Door - Bottom Panel	# 6-A2	1	
Door Panel Connection Part	# 6-A3	2	
Right Door - Upper Panel	# 7-A1	1	
Right Door - Bottom Panel	# 7-A2	1	
Key Rod	# 7-A3	1	
Upper Back Panel	# 8	1	
Middle Back Panel	# 9	2	

9 PACKAGE CONTENTS

Name	Part No.	Qty	Illustration
Bottom Back Panel	# 10	1	
Corner Protection - A	# 15	1	
Corner Protection - B	# 16	1	
Middle Corner Protection	# 17	2	
Wheel with Brake	# 12	2	
Wheel w/o Break	# 13	2	
Hook	# 34	12	
Magnet	# 23	2	

PACKAGE CONTENTS 10

Name	Part No.	Qty	Illustration
Bumper	# 58	4	
Key	# 22	2	
Screw Driver	# 21	1	
Screw F (M4 x 8)	# 41	86	
Screw K (M4 x 10L)	# 52	8	
Screw G (M4 x 30L)	# 42	12	
Screw L (M4 x 6L)	# 53	1	
Screw N (M4 x 10L)	# 54	18	
Screw D (M8x18L)	# 17	16	
Screw C (M4x18L)	# 16	16	

11 ASSEMBLY INSTRUCTIONS

Assembly preparation

- Assemble the workbench on a clean, level surface.
- Remove all items from the packaging box and ensure that all parts listed on pages 7-10 are available.
- When installing parts that have more than one screw, tighten all screws by hand before tightening them with the screwdriver provided.
- The package contains an updated product construction designed for ease of transportation while maintaining a rigid structure.

Tip: A magnetic screwdriver is included. If utilizing a power screwdriver, use low torque setting.

Warning: It is recommended to wear gloves during assembly because some parts may have sharp edges.

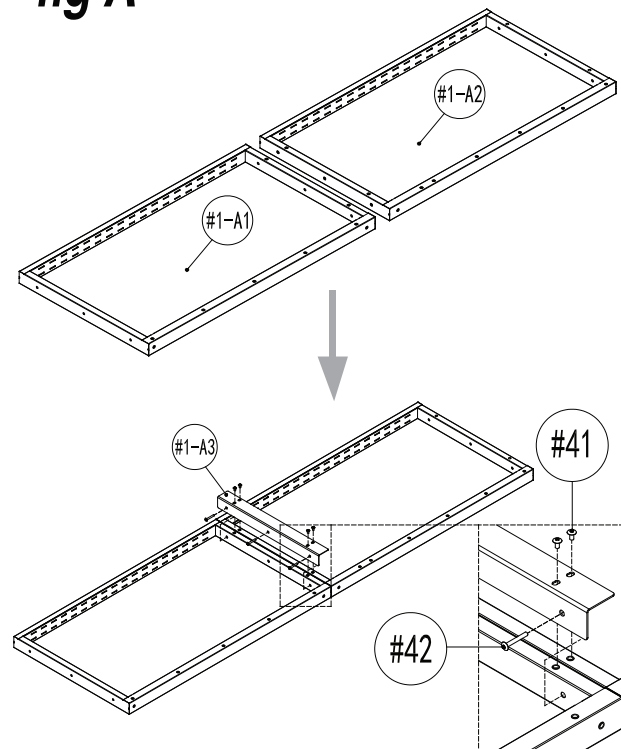
Assembly instructions

1. Install Left Side Panel. (#1-A)

Position the Left Side - Upper Panel (#1-A1) and Left Side - Bottom Panel (#1-A2) together, place the Side Panel Reinforcement Connection Part (#1-A3) over the touching edges, align screw holes, use 3 (#42) Screw G to tighten from the side, then use 4 (#41) Screw F to tighten from the top side. (*fig A*)

Note: Make sure the Left Side Upper Panel (#1-A1) is aligned with Left Side Bottom Panel (#1-A2) .

fig A

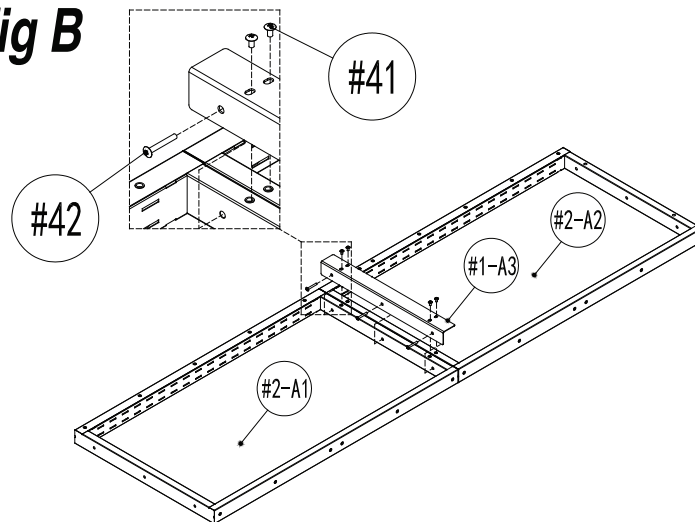


ASSEMBLY INSTRUCTIONS 12

2. Install Right Side Panel.(#2-A)

Repeat Step 1, use (#2-A1) Right Side Upper Panel, (#2-A2) Right Side Bottom Panel, (#1-A3) Side Panel Reinforcement Connection Part 3pcs (#42) Screw G to tighten from the side, then use 4pcs (#41) Screw F to tighten from the top side.
(fig B)

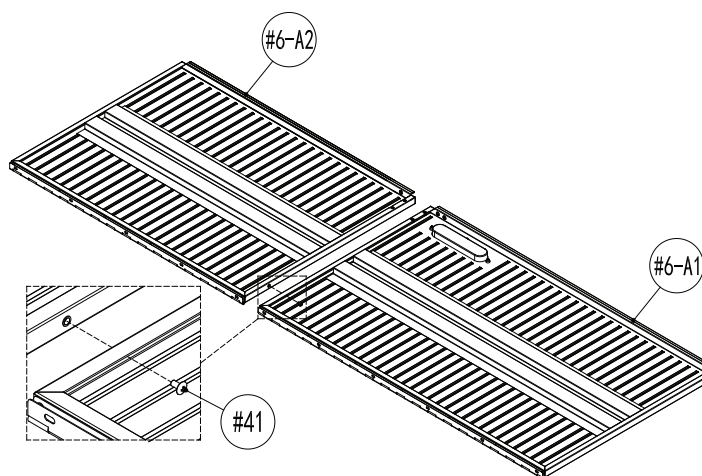
fig B



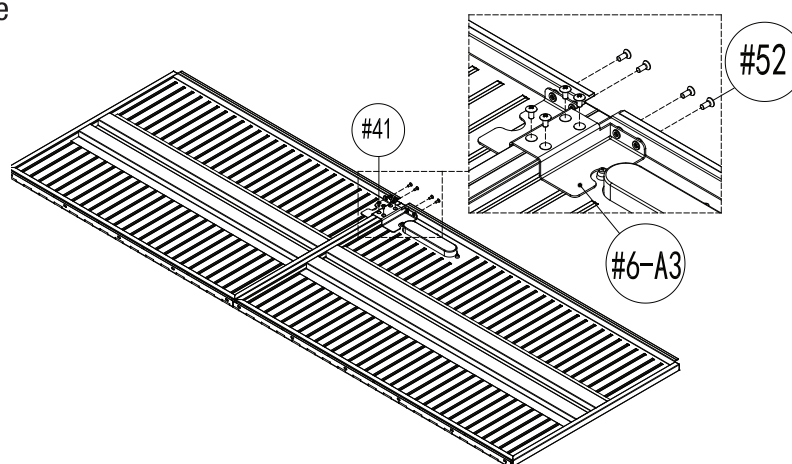
3. Install Left Door. (#6-A)

(fig C)

1). Place Left Door - Upper Panel (#6-A1) and Left Door - Bottom Panel (#6-A2) together, line up screw holes, use 1 (#41) Screw F to tighten from the side.



2). Put the Door Panel Connection Part (#6-A3) over the touching sides, align the screw holes, use 4 (#41) Screw F to secure from the top, and use 4 (#52) Screw K to tighten from outside edge.



Note: Make sure the Left Door - Upper Panel (#6-A1) is aligned with Left Door - Bottom Panel (#6-A2).

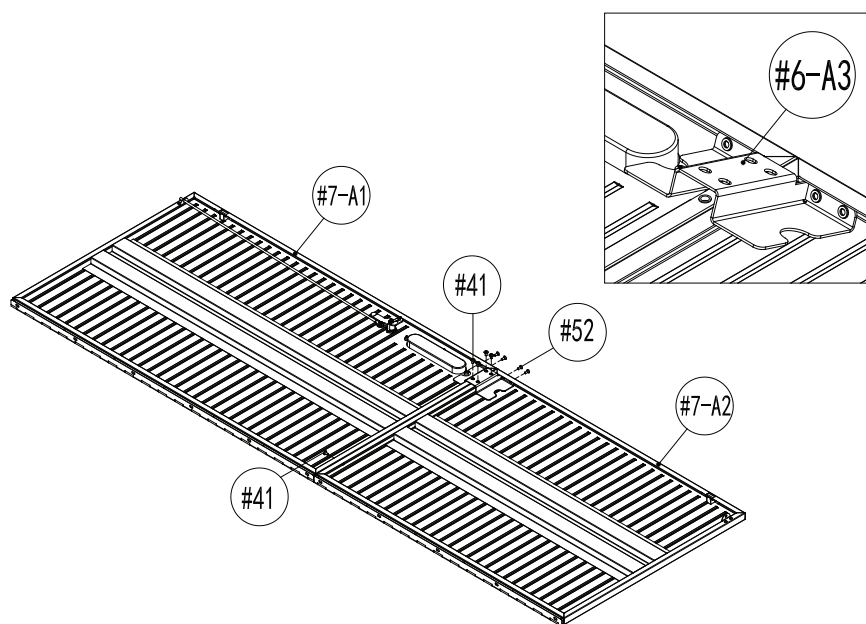
13 ASSEMBLY INSTRUCTIONS

4. Install Right Door. (#7-A)

fig D

Repeat Step 3, use Right Door - Upper Panel (#7-A1), Right Door - Bottom Panel (#7-A2), Door Panel Connection Part (#6-A3), use 1 (#41) Screw F to tighten the touching sides, use 4 (#41) Screw F to tighten from the top touching side, and 4 (#52) Screw K to tighten from outside edge. (*fig D*)

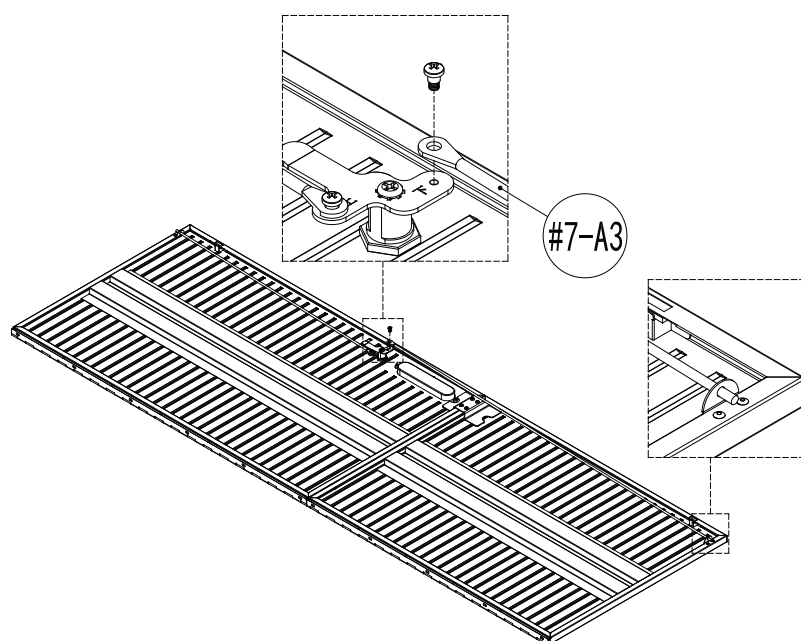
Note: Make sure the Right Door - Upper Panel (#7-A1) is aligned with Right Door - Bottom Panel (#7-A2).



5. Install Key Rod. (#7-A3)

fig E

Insert Key Rod (#7-A3) into the bottom tab hole of Right Door - Bottom Panel (#7-A2), unscrew the Pre-assembled (#53) Screw L on the key rod linkage plate, attach Key Rod (#7-A3) by lining up the screw hole and tightening back in the (#53) Screw L. (*fig E*)

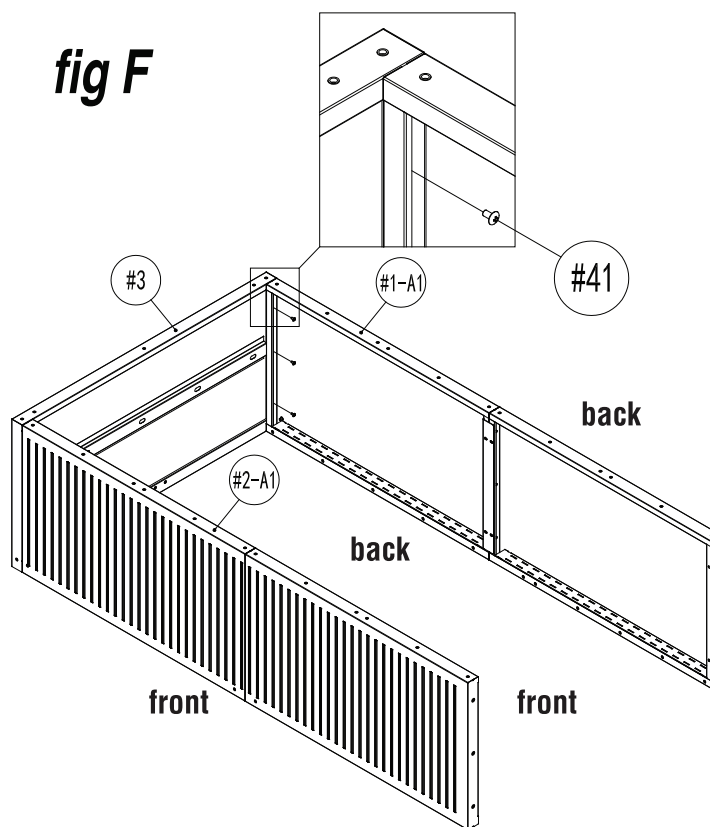


ASSEMBLY INSTRUCTIONS 14

6. Install Top Panel (#3) to Left Side Upper Panel (#1-A1) and Right Side Upper Panel (#2-A1).

Connect the Top Panel (#3) to Left Side Upper Panel (#1-A1) and Right Side Upper Panel (#2-A1). Make sure the front of the panel is facing downward. Align screw holes, use 6 (#41) Screw F to tighten. (*fig F*)

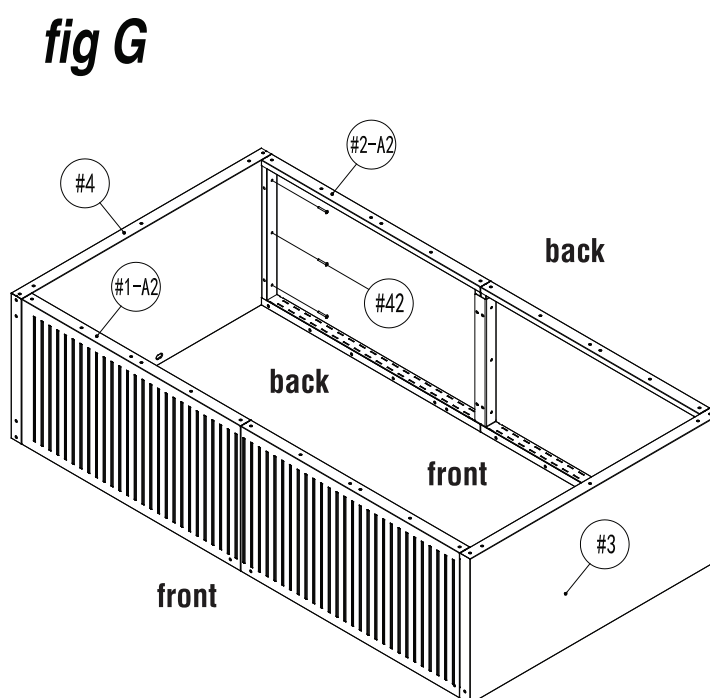
Note: Make sure the bottom corners of Left Side Upper Panels and Right Side Upper Panels (#1-A1, #2-A1) are completely aligned with the back and front corners of Top Panel (#3), before tightening the screws.



7. Install Bottom Panel (#4) to Left Side Bottom Panel (#1-A2) and Right Side Bottom Panel (#2-A2).

Connect the Bottom Panel (#4) to Left Side Bottom Panel (#1-A2) and Right Side Bottom Panel (#2-A2). Make sure the front of the bottom panel is facing downward. Align screw holes, use 6 (#42) Screw G to tighten. (*fig G*)

Note: Make sure the bottom corners of Left Side Bottom Panel and Right Side Bottom Panels (#1-A2, #2-A2) are completely aligned with the back and front corners of Bottom Panel (#4), before tightening the screws.



15 ASSEMBLY INSTRUCTIONS

8. Install Back Panels (#8, #9 and #10).

(fig H)

1). Connect the Bottom Back Panel (#10) onto both Bottom of Left and Right Side Panels (#1-A2 and #2-A2) and Bottom Panel (#4), line up screw holes, use 7 (#41) Screw F to tighten.

2). Connect both Middle Back Panel (#9) above Bottom Back Panel (#10). Place the groove of the Middle Back Panel (#9) onto the top edge of the Bottom Back Panel (#10), use 16 (#41) Screw F to tighten.

3). Use 13 (#41) Screw F to install Upper Back Panel (#8) the same way.

fig H

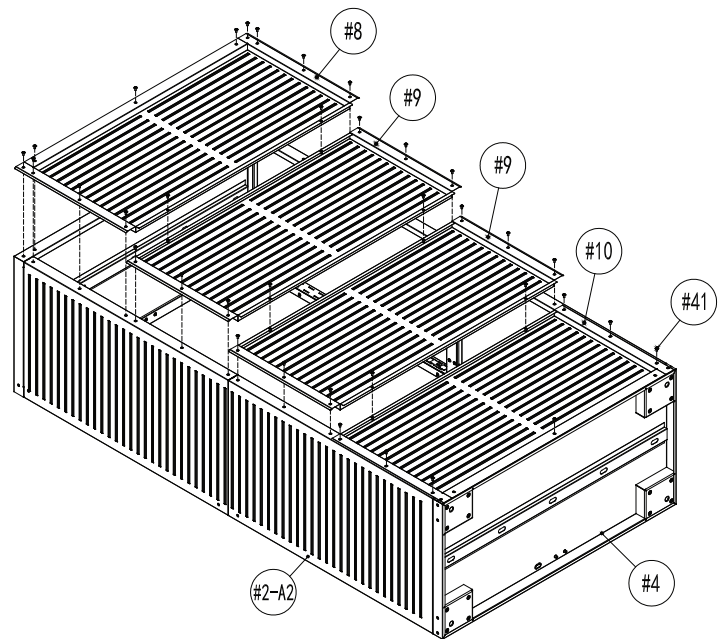
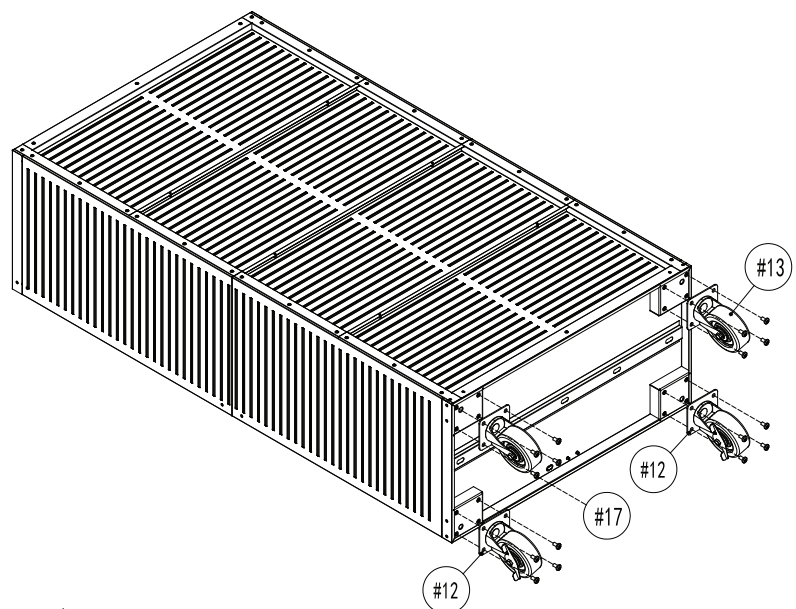


fig I

9. Install Wheels (#12 & #13).

(fig I)

Install the Wheels with Brakes (#12) onto the front of the cabinet and screw the Wheels Without Brakes (#13) onto the back of the cabinet. Use 16 (#17) Screws D to tighten.



ASSEMBLY INSTRUCTIONS 16

10. Install Corner Protections (#15, #16 and #17). (fig J)

- 1). Connect the Corner Protection A, B (#15, #16) onto Top of the cabinet, use 10 (#54) Screw N to tighten.
- 2). Connect the Middle Corner Protection (#17) to the middle of Left Side Panel (#1-A) and Right Side Panel (#2-A), use 8 (#54) Screw N to tighten.
- 3). Connect the Bumper (#58) to the corner of Bottom panel (#4), use 16 (#16) Screw C to tighten.

fig J

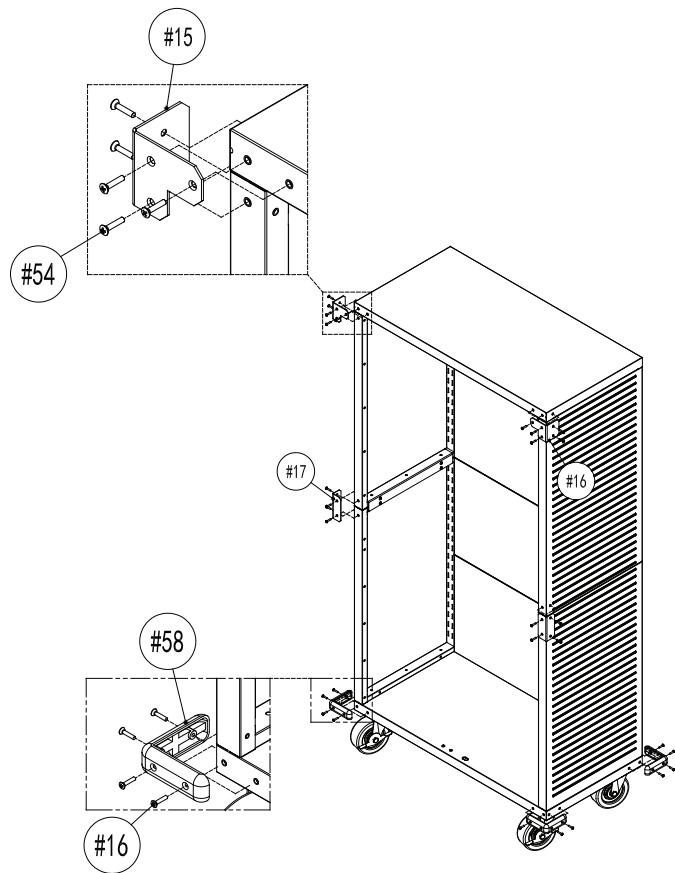
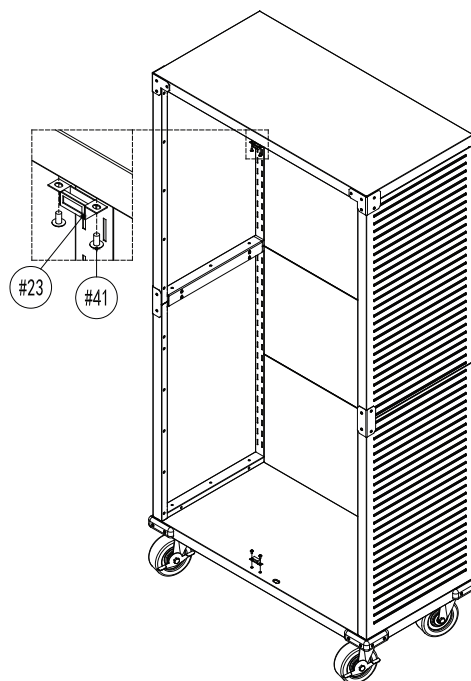


fig K

11. Install Magnet (#23). (fig K)

Place Magnet (#23) onto Top Panel (#3) and Bottom Panel (#4) facing the front, use 4 (#41) Screw F to tighten.



17 ASSEMBLY INSTRUCTIONS

12. Install Left and Right Doors (#6-A, #7-A).

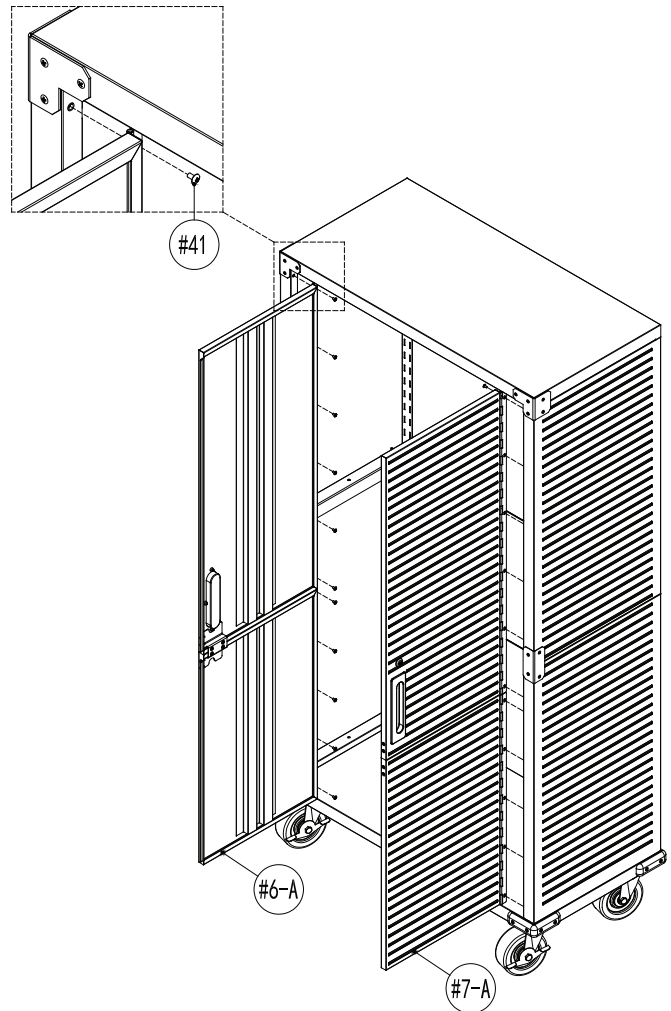
(fig L)

1). Attach Left Door (#6-A) to Left Side Panel (#1-A), use 11 (#41) Screw F to tighten.

Note: The screw holes on the door hinges have a slight spacing, enabling the door to be adjusted and centered in the door frame. Place top, middle and bottom Screws first. Don't tighten screws completely, allowing slight adjustments for leveling door panels later.

2). Install Right Door (#7-A) the same way.

fig L



ASSEMBLY INSTRUCTIONS 18

13. Install Middle Shelves (#5). (fig M)

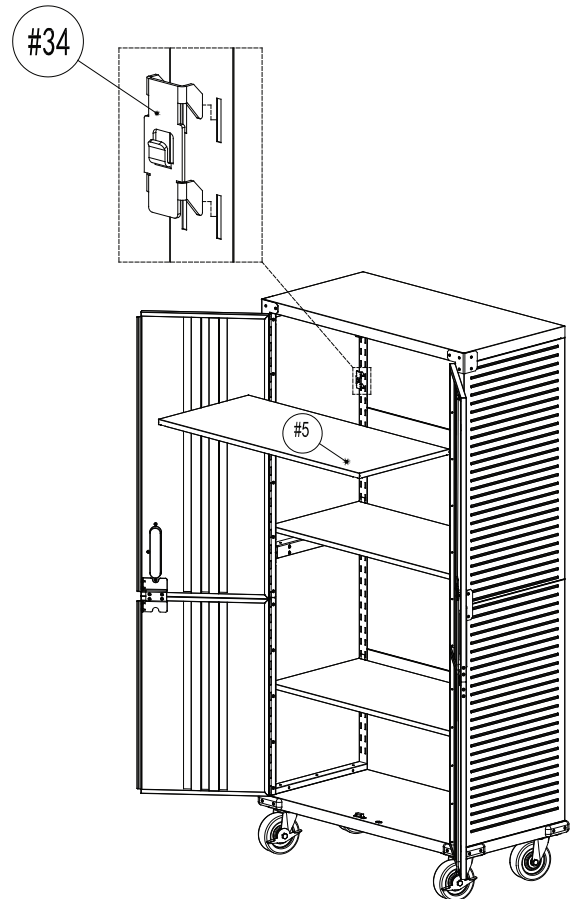
1). Select the height for the Middle Shelves (#5). Place 1 of (#34) Hook into the hook slots where each corner of shelf should be placed. Make sure the hooks are positioned at same height.

2). Put the Middle Shelf (#5) into cabinet and lock down onto Hooks (#34).

Note: The Middle Shelves (#5) need a hooks at each corner to support it.

150 lbs. maximum loading for each shelf.

fig M



19 WARRANTY



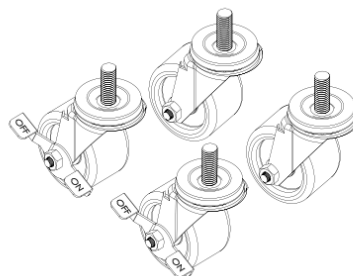
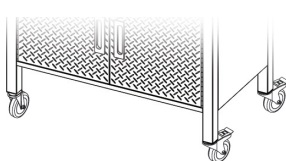
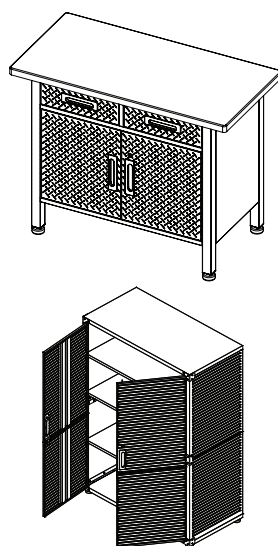
This BLACKCOMB® product carries a one-year limited warranty against defects in materials and workmanship. Subject to conditions and limitations described below, this product, if returned to us with proof of purchase within the stated warranty period and if covered under this warranty, will be repaired or replaced (with the same model, or one of equal value or specification), at our option. We will bear the cost of any repair or replacement of the product and any costs of labour relating thereto.

This warranty is subject to the following conditions and limitations :

- a. A bill of sale to verify the purchase and purchase date must be provided.
- b. This warranty will not apply to any product or part thereof that is worn or damaged or that has become inoperative due to abuse, misuse, accidental damage, neglect, or lack of proper installation, operation, or maintenance (as outlined in the applicable instruction manual or operating instructions), or that is being used for industrial, professional, commercial or rental purposes.
- c. This warranty will not apply to normal wear and tear or to expendable parts or accessories that may be supplied with the product that are expected to become inoperative or unusable after a reasonable period of use.
- d. This warranty will not apply where damage is caused by repairs made or attempted by others (i.e., persons not authorized by the manufacturer).
- e. This warranty will not apply to any product that was sold to the original purchaser as a reconditioned or refurbished product (unless otherwise specified in writing).
- f. This warranty will not apply to any product or part thereof if any part from another manufacturer is installed therein or any repairs or changes have been made or attempted by unauthorized persons.
- g. This warranty will not apply to normal deterioration of the exterior finish, such as, but not limited to, scratches, dents, paint chips, or to any corrosion or discolouring by heat, or abrasive and chemical cleaners.
- h. This warranty applies only to the original purchaser and may not be transferred. Neither the retailer nor the manufacturer shall be liable for any other expense, loss, or damage, including, without limitation, any indirect, incidental, consequential, or exemplary damages arising in connection with the sale, use or inability to use this product.

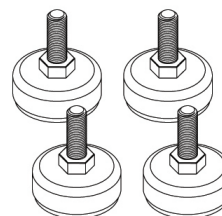
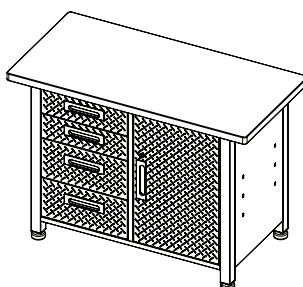
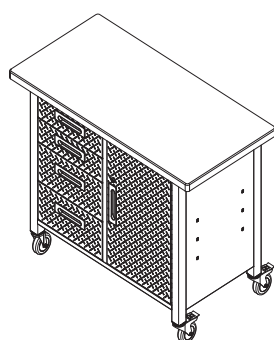
ADDITIONAL & SPARE PARTS 20

Salmon Boy Ltd. proudly provides additional and spare parts for your BLACKCOMB cabinets and workbenches. Feel free to contact us if you have any questions or need any additional, spare parts at 1-866-221-8146. Service@SalmonBoy.ca



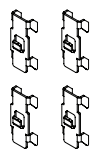
M14 wheel module

a set of 4 rolling casters (2 with breaks)
for 20248J, 16241J, 68-6364, 68-6365, 68-1221,
68-0667 cabinets/ workbenches



M12 Leveling feet

a set of 4 leveling feet for 68-1224 workbench



Extra shelf

a shelf with 4 hooks (if the shelf needs hooks)
for 20248J, 20209J, 16236J, 16241J, 20205J, 68-0558,
68-1224, 68-1226, 68-6364, 68-6365, 68-6366, 68-1221
or 68-0667 cabinets/ workbenches



Lock set

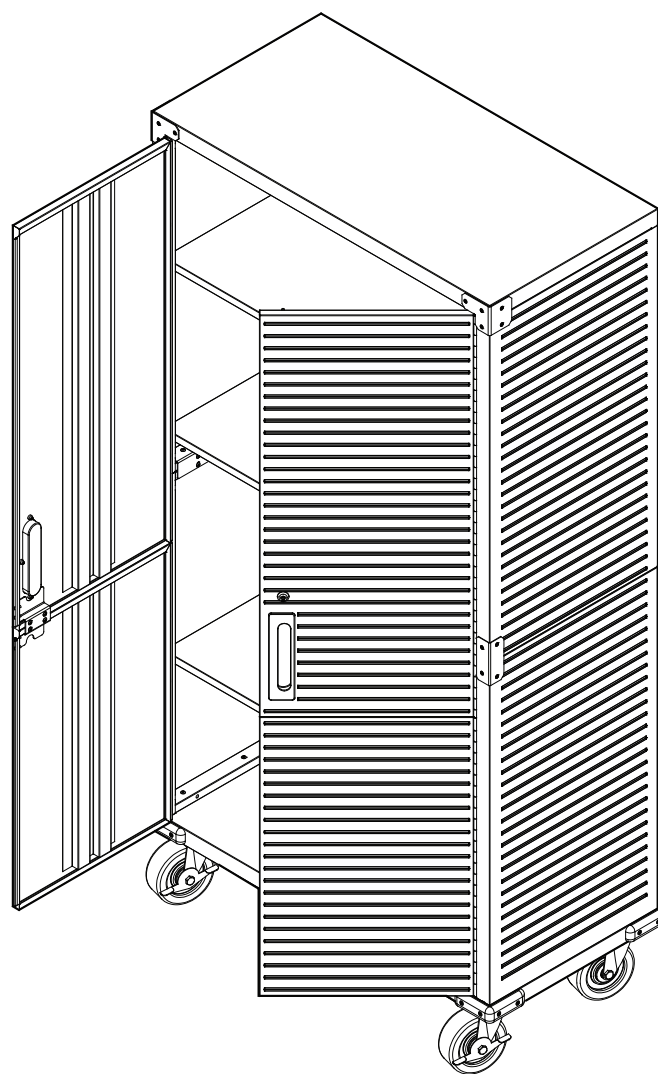
a new lock with 2 keys



16236J 36 po. L x 72 po. H x 18 po. P

ARMOIRE DE RANGEMENT

GUIDE D'UTILISATION



BLACKCOMB

The logo features a stylized mountain range silhouette above the brand name. The letter 'O' in 'BLACKCOMB' is replaced by a maple leaf icon.

**SI DES PIÈCES SONT MANQUANTES OU
ENDOMMAGÉES, OU POUR TOUTES
QUESTIONS, VEUILLEZ COMPOSER LE
1-866-221-8146.**

www.salmonboy.ca



Veillez lire attentivement ce guide d'utilisation avant d'utiliser ce produit. Il contient des consignes importantes relatives à votre sécurité ainsi que des conseils d'utilisation et d'entretien.

Conservez ce guide d'utilisation pour consultation ultérieure. Dans l'éventualité où ce produit est cédé à un tiers, veuillez également leur remettre ce guide.

**BLACKCOMB**

Armoire de rangement 16236J

TABLE DES MATIÈRES 2



SPÉCIFICATIONS TECHNIQUES	3
CONSIGNES DE SÉCURITÉ	4
VUE D'ENSEMBLE	5-6
LISTE DES PIÈCES	7-10
INSTRUCTIONS D'INSTALLATION	11-18
GARANTIE	19
PIÈCES DE RECHANGE ET SUPPLÉMENTAIRES	20



3 SPÉCIFICATIONS TECHNIQUES

Pièce	Charge maximale
Étagères	150 lb (68 kg) chacune
Panneau inférieur	150 lb (68 kg)

Important : La charge maximale de l'armoire est de 600 lb (270 kg)

CONSIGNES DE SÉCURITÉ 4



Directives de sécurité

Ce guide contient des renseignements importants relatifs à la protection de la sécurité personnelle et la prévention des problèmes d'équipement. Il est très important de lire ce guide attentivement et de bien assimiler les directives avant d'assembler et d'utiliser ce produit. Veuillez notamment porter attention aux symboles et renseignements suivants.



Attention!

Danger potentiel pouvant entraîner des blessures modérées ou endommager le produit.

Important - Le mot « important » est utilisé dans le texte pour informer le lecteur de ce que l'utilisateur doit savoir à propos de cet outil.

RECOMMANDATIONS RELATIVES À LA SÉCURITÉ

Ces mesures de sécurité visent la sécurité personnelle de l'utilisateur et de toute autre personne utilisant ce produit. Le non-respect de ces instructions peut entraîner des blessures graves, voire fatales, des dommages à la propriété et/ou des dommages à l'équipement. Veuillez prendre le temps de lire et de bien comprendre ces instructions.



Attention!

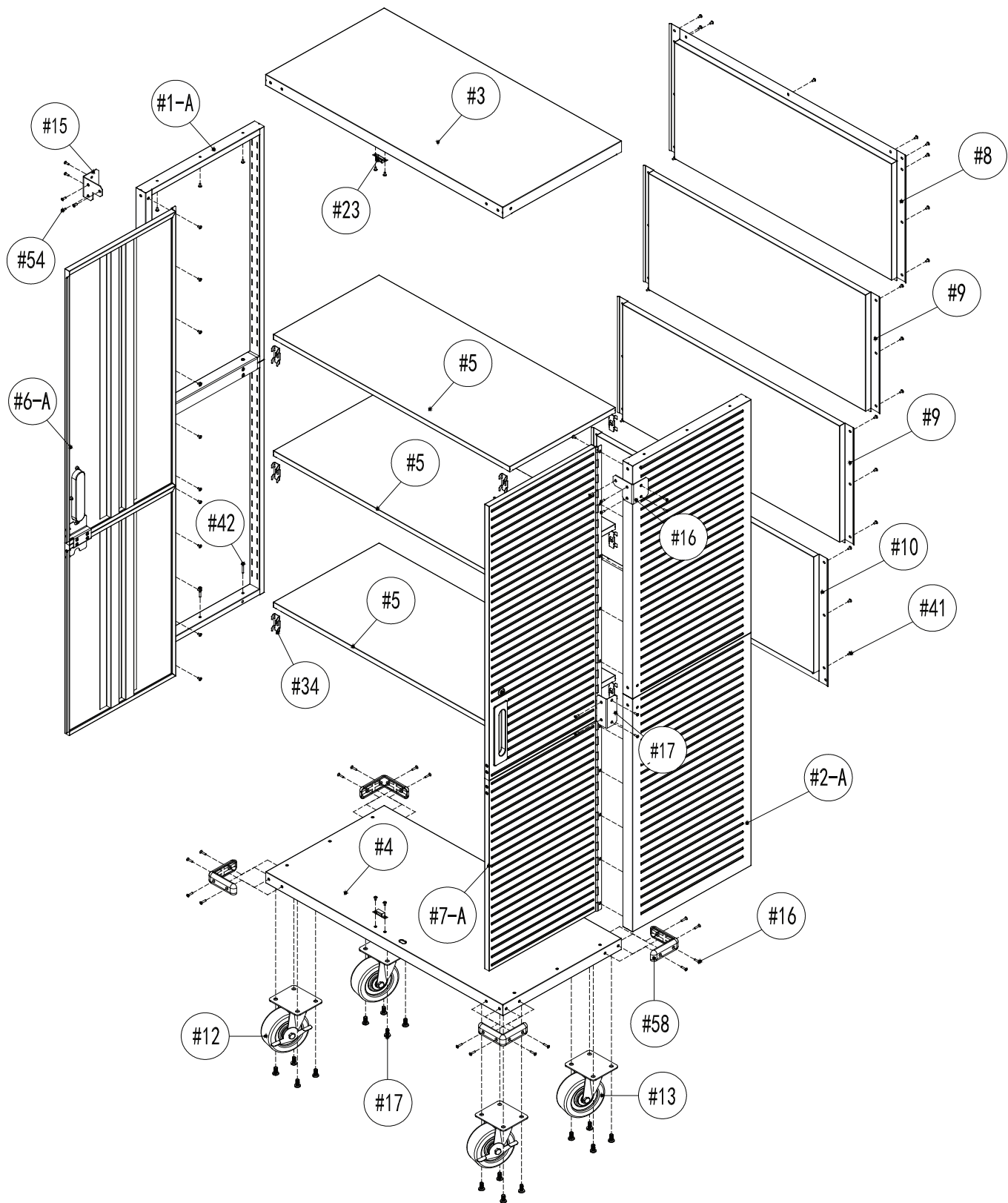
Danger potentiel pouvant entraîner des blessures modérées ou endommager le produit.

- Installez ce cabinet sur une surface plane.
- Ce produit est prévu uniquement pour un usage à l'intérieur.
- Utilisez un linge doux humide pour nettoyer ce cabinet.
- Veuillez ne pas grimper sur ce cabinet, ni l'utiliser comme échafaudage.
- Veuillez ne pas excéder la charge maximale prévue pour ce produit.
- L'assemblage et l'entretien de ce produit doivent être effectués par un adulte.
- Assurez-vous d'avoir suffisamment de main-d'œuvre lors de l'assemblage et du déplacement de ce cabinet.
- Vérifiez régulièrement l'état des vis de ce produit et resserrez-les au besoin.



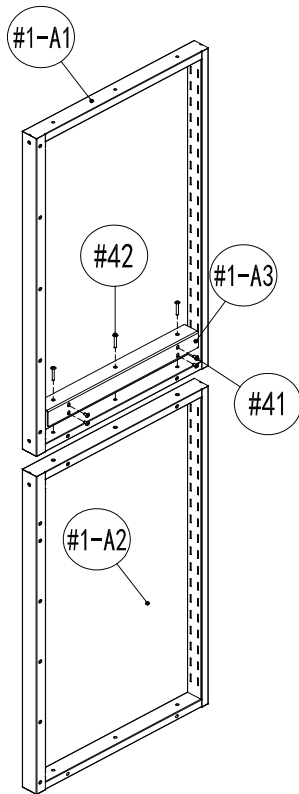
Armoire de rangement 16236J

5 VUE D'ENSEMBLE

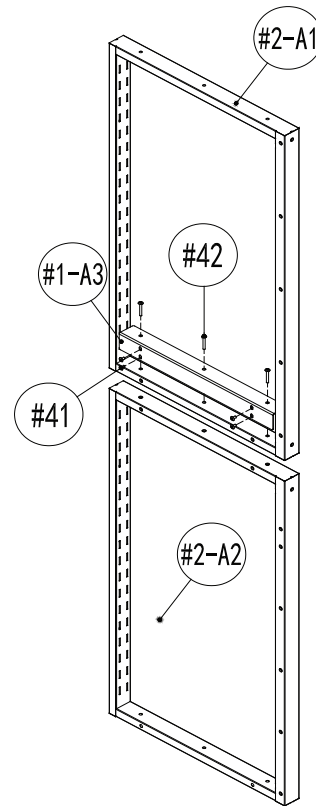


VUE D'ENSEMBLE 6

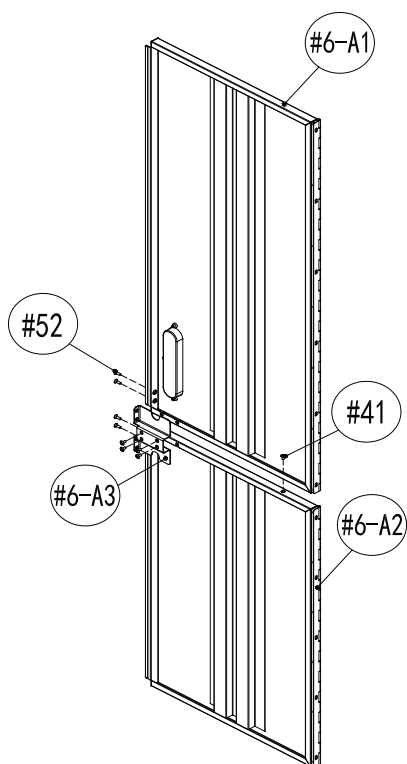
(#1-A) Panneau gauche



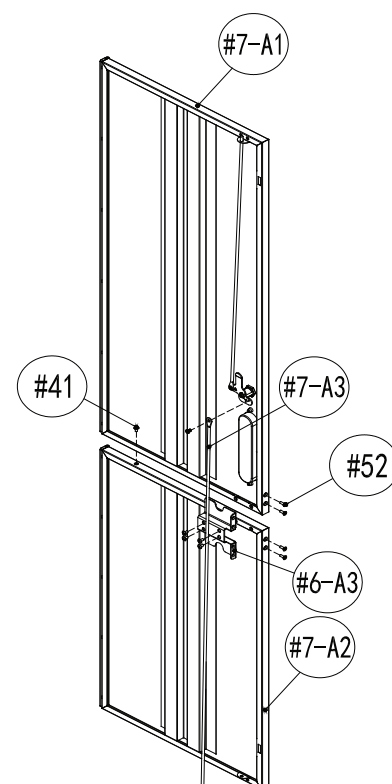
(#2-A) Panneau droit



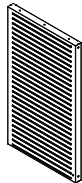
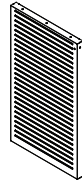
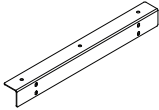
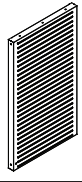
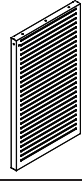
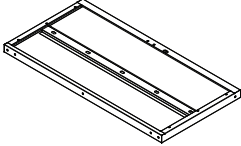
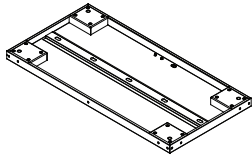
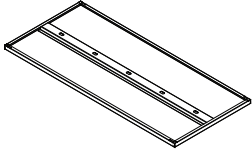
(#6-A) Porte gauche





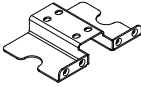


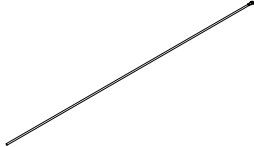
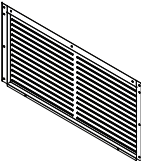
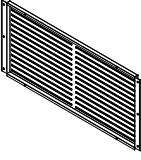
(#7-A) Porte droite



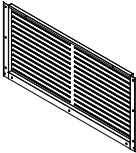
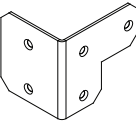
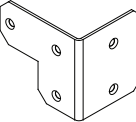
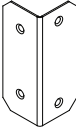
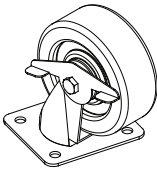
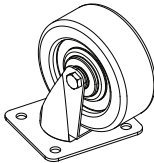
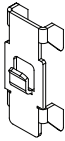
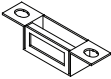
7 LISTE DES PIÈCES

Description	N° de pièce	Quantité	Schéma
Panneau gauche supérieur	# 1-A1	1	
Panneau gauche inférieur	# 1-A2	1	
Cornière de renforcement	# 1-A3	2	
Panneau droit supérieur	# 2-A1	1	
Panneau droit inférieur	# 2-A2	1	
Panneau supérieur	# 3	1	
Panneau inférieur	# 4	1	
Étagère du milieu	# 5	3	

LISTE DES PIÈCES 8

Description	N° de pièce	Quantité	Schéma
Panneau supérieur - Porte gauche	# 6-A1	1	
Panneau inférieur - Porte gauche	# 6-A2	1	
Pièce de raccordement de panneaux de porte	# 6-A3	2	
Panneau supérieur - Porte droite	# 7-A1	1	
Panneau inférieur - Porte droite	# 7-A2	1	
Tige de verrouillage	# 7-A3	1	
Panneau arrière supérieur	# 8	1	
Panneau arrière du milieu	# 9	2	

9 LISTE DES PIÈCES

Description	N° de pièce	Quantité	Schéma
Panneau arrière inférieur	# 10	1	
Protecteur de coin - A	# 15	1	
Protecteur de coin - B	# 16	1	
Protecteur de coin - Milieu	# 17	2	
Roulette avec frein	# 12	2	
Roulette sans frein	# 13	2	
Crochet	# 34	12	
Aimant	# 23	2	

LISTE DES PIÈCES 10

Description	N° de pièce	Quantité	Schéma
Butoir	# 58	4	
Clé	# 22	2	
Tournevis	# 21	1	
Vis F (M4 x 8)	# 41	86	
Vis K (M4 x 10L)	# 52	8	
Vis G (M4 x 30L)	# 42	12	
Vis L (M4 x 6L)	# 53	1	
Vis N (M4 x 10L)	# 54	18	
Vis D (M8 x 18L)	# 17	16	
Vis C (M4 x 18L)	# 16	16	

11 INSTRUCTIONS D'INSTALLATION

Avant de commencer

- Assemblez ce meuble sur une surface propre et plane.
- Enlevez tous les articles de la boîte et assurez-vous que toutes les pièces énumérées aux pages 7-10 sont présentes.
- Lors de l'installation de pièces qui contiennent plus d'une vis, veuillez serrer toutes les vis à la main avant de les resserrer à l'aide du tournevis fourni.
- Le mode de construction de ce produit a été révisé de façon à faciliter son transport tout en maintenant la rigidité de sa structure.

Conseil: Un tournevis magnétique est inclus. Si vous utilisez un tournevis électrique, veuillez utiliser un faible couple de rotation.

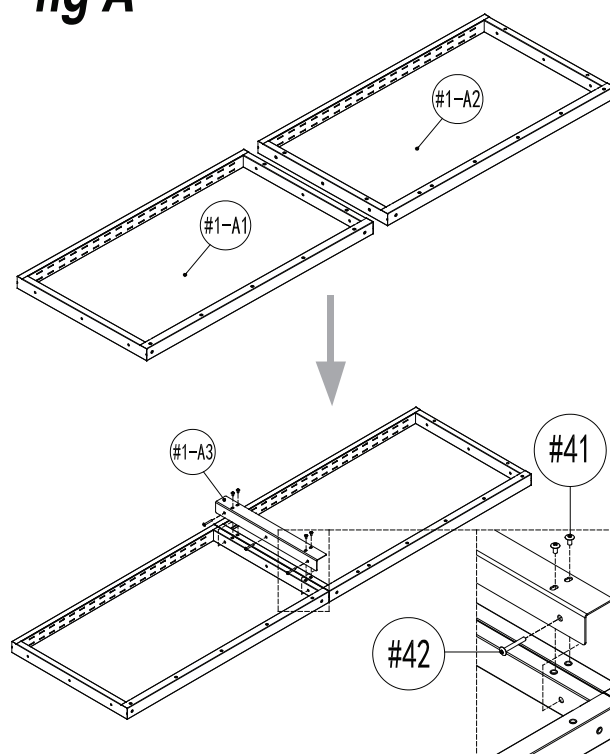
Avertissement: Il est préférable de porter des gants lors de l'assemblage de ce meuble étant donné que les bords de certaines pièces peuvent être coupants.

Instructions d'installation *fig A*

1. Installation du Panneau gauche. (#1-A)

Placez le Panneau gauche supérieur (#1-A1) et le Panneau gauche inférieur (#1-A2) l'un à côté de l'autre, installez la Cornière de renforcement (#1-A3) sur les côtés contigus, alignez les orifices des vis, utilisez trois Vis G (#42) sur les côtés et quatre Vis F (#41) sur le dessus. (*fig A*)

Important: Assurez-vous que Panneau gauche supérieur (#1-A1) est bien aligné sur le Panneau gauche inférieur (#1-A2).



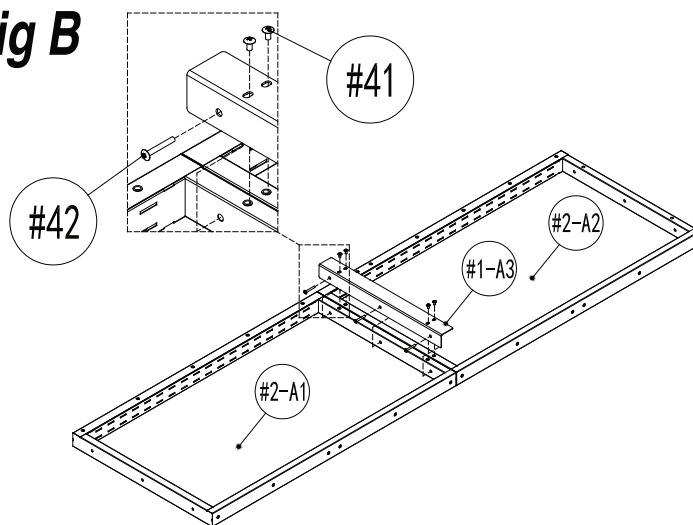
INSTRUCTIONS D'INSTALLATION 12

2. Installation du Panneau droit (#2-A)

Répétez l'Étape 1 en utilisant le Panneau droit supérieur (#2-A1), le Panneau droit inférieur (#2-A2) et la Cornière de renforcement (#1-A3). Utilisez trois Vis G (#42) pour serrer sur les côtés et quatre Vis F (#41) pour serrer sur le dessus.

(fig B)

fig B

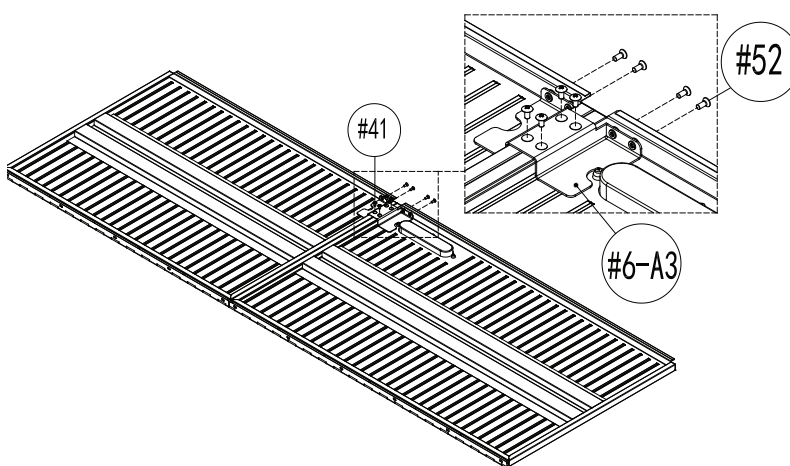
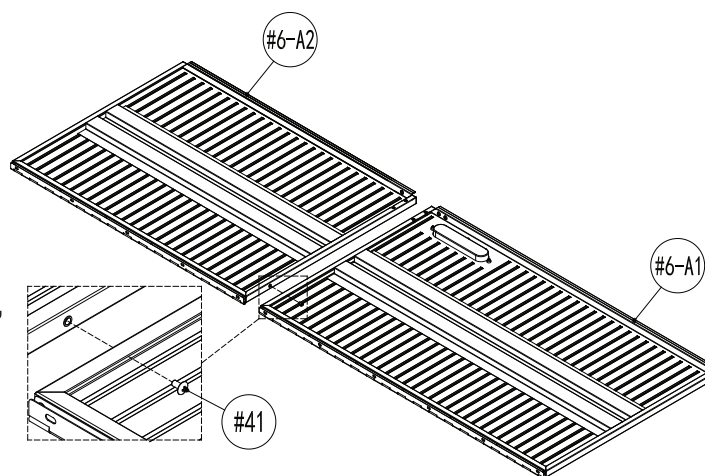


3. Installation de la Porte gauche (#6-A).

(fig C)

1). Placez le Panneau supérieur – Porte gauche (#6-A1) et le Panneau inférieur – Porte gauche (#6-A2) l'un à côté de l'autre, alignez les orifices des vis et utilisez une Vis F pour serrer sur les côtés.

2). Installez la Pièce de raccordement de panneaux de porte (#6-A3) sur les côtés contigus, alignez les orifices des vis, utilisez quatre Vis F (#41) sur le dessus et quatre Vis K (#52) sur le côté extérieur.

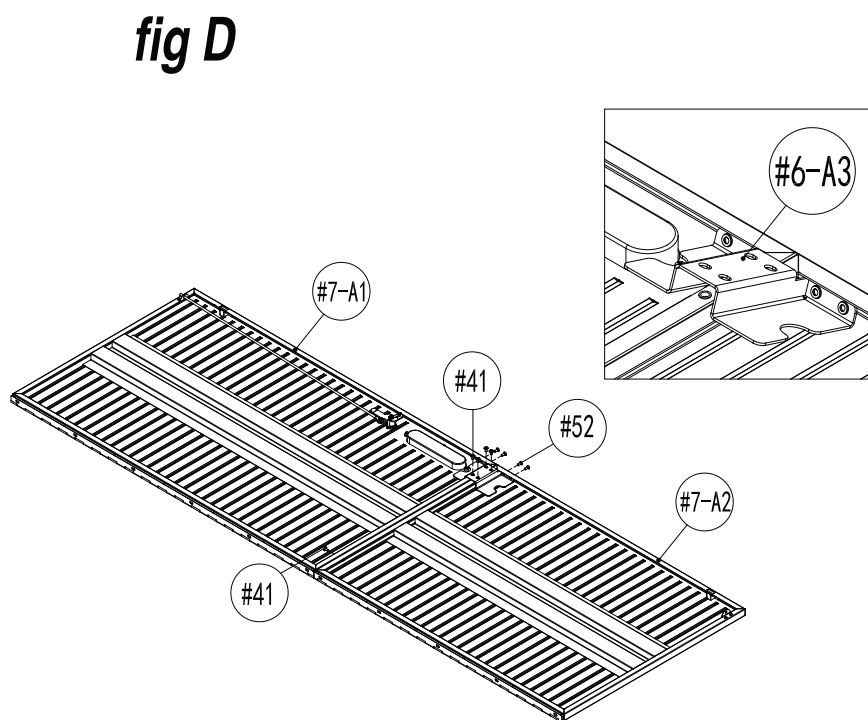


Important : Assurez-vous que le Panneau supérieur – Porte gauche (#6-A1) est aligné sur le Panneau inférieur – Porte gauche (#6-A2).

13 INSTRUCTIONS D'INSTALLATION

4. Installation de la Porte droite. (#7-A)

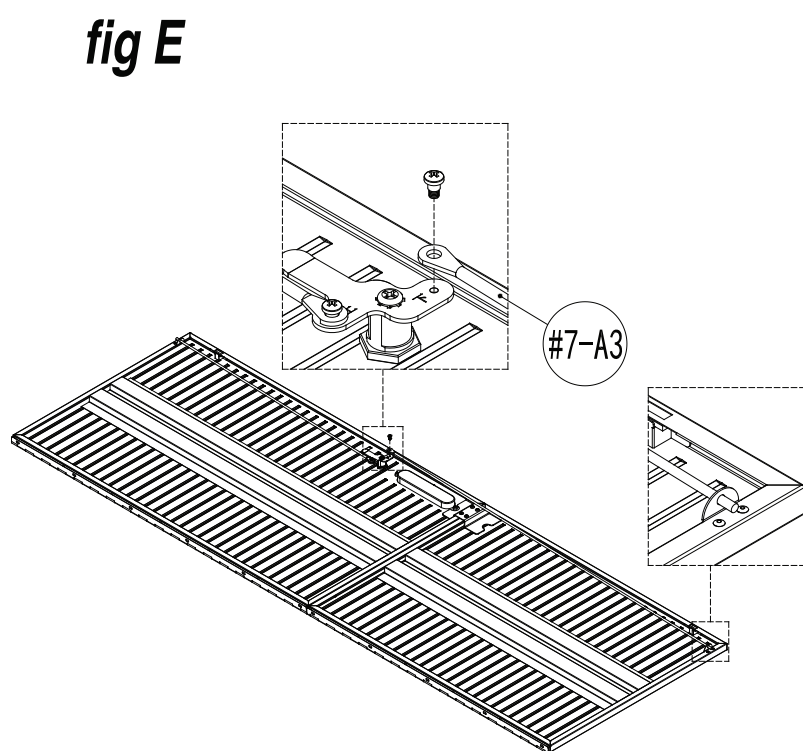
Répétez l'Étape 3 en utilisant le Panneau supérieur – Porte droite (#7-A1), le Panneau inférieur – Porte droite (#7-A2) et la Pièce de raccordement de panneaux de porte (#6-A3). Utilisez une Vis F (#41) pour visser les côtés contigus latéraux, quatre Vis F (#41) pour visser les côtés contigus du dessus et quatre Vis K (#52) pour visser à partir du côté extérieur. (*fig D*)



Important : Assurez-vous que le Panneau supérieur – Porte droite (#7-A1) est aligné sur le Panneau inférieur – Porte droite (#7-A2).

5. Installation de la Tige de verrouillage (#7-A3).

Insérez la Tige de verrouillage (#7-A3) dans la fente inférieure du Panneau inférieur – Porte droite (#7-A2), dévissez la Vis L (#53) préinstallée sur la plaque de liaison de la tige, attachez la Tige de verrouillage (#7-A3) en alignant les orifices des vis et en resserrant la Vis L (#53). (*fig E*)

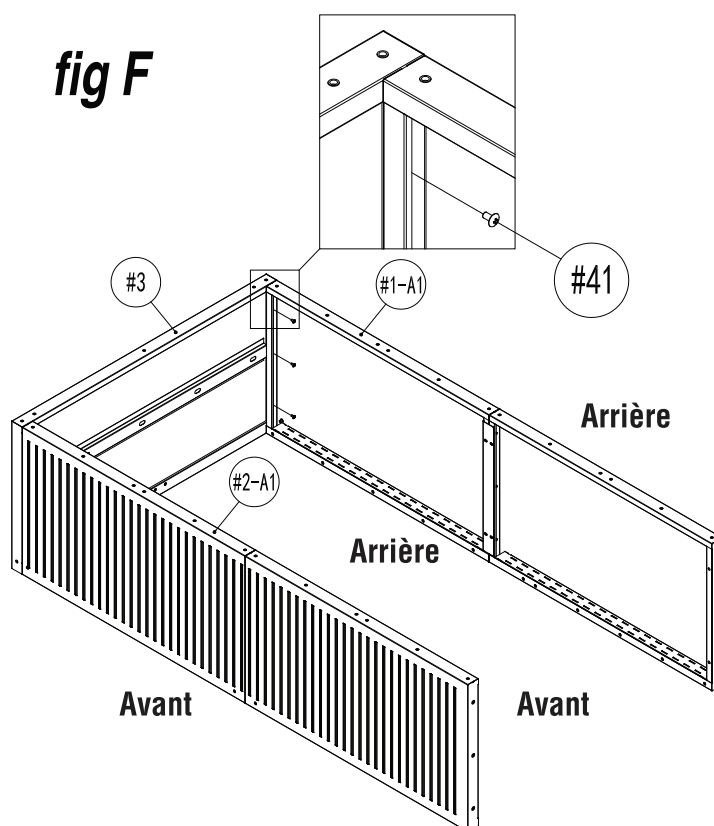


INSTRUCTIONS D'INSTALLATION 14

6. Installation du Panneau supérieur (#3) sur le Panneau gauche supérieur (#1-A1) et le Panneau droit supérieur (#2-A1).

Attachez le Panneau supérieur (#3) au Panneau gauche supérieur (#1-A1) et au Panneau droit supérieur (#2-A1). Assurez-vous que le devant du panneau supérieur fait face vers le bas. Alignez les orifices des vis, vissez le tout à l'aide de six Vis F (#41). (*fig F*)

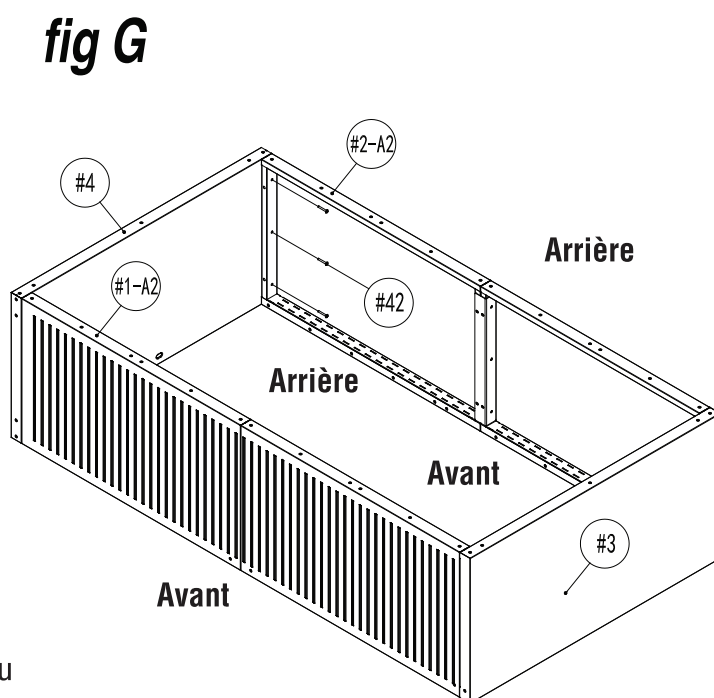
Important: Assurez-vous que les coins supérieurs du Panneau gauche supérieur (#1-A1) et du Panneau droit supérieur (#1-A2) sont alignés sur les coins arrière et avant du Panneau supérieur (#3) avant de serrer les vis.



7. Installation du Panneau inférieur (#4) sous le Panneau gauche inférieur (#1-A2) et le Panneau droit inférieur (#2-A2).

Attachez le Panneau inférieur (#4) au Panneau gauche inférieur (#1-A2) et au Panneau droit inférieur (#2-A2). Assurez-vous que le devant du panneau inférieur fait face vers le bas. Alignez les orifices des vis et serrez le tout à l'aide de six Vis G (#42). (*fig G*)

Important: Assurez-vous que les coins inférieurs du Panneau gauche inférieur (#1-A2) et du Panneau droit inférieur (#2-A2) sont alignés sur les coins arrière et avant du Panneau inférieur (#4) avant de serrer les vis.



15 INSTRUCTIONS D'INSTALLATION

8. Installation des Panneaux arrière

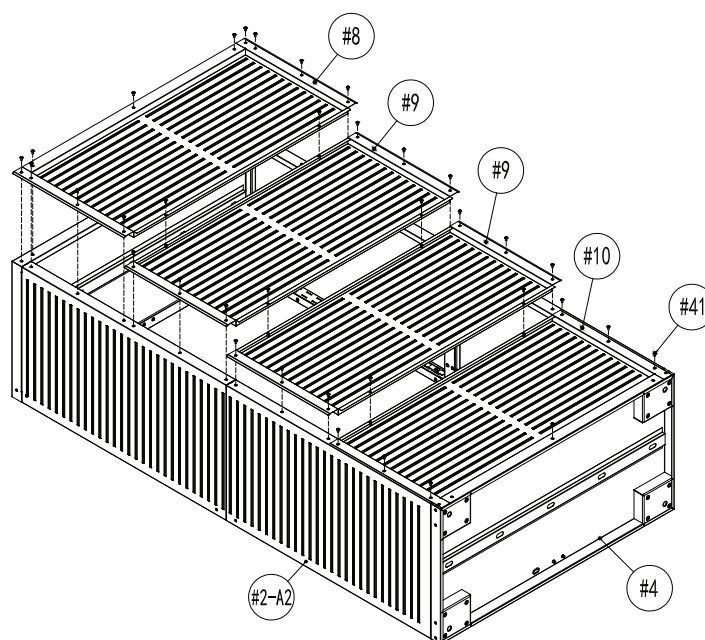
(#8, #9 et #10). (fig H)

fig H

1). Attachez le Panneau arrière inférieur (#10) aux Panneaux gauche et droit inférieurs (#1-A1 et #2-A2) et au Panneau inférieur (#4). Aalignez les orifices des vis et serrez à l'aide de sept Vis F (#41).

2). Attachez les deux Panneaux arrière du milieu (#9) au-dessus du Panneau arrière inférieur (#10). Placez la rainure du Panneau du milieu (#9) sur l'arête supérieure du Panneau arrière inférieur (#10) et vissez le tout à l'aide de seize Vis F (#41).

3). Installez le Panneau arrière supérieur (#8) en suivant les mêmes étapes et en utilisant treize Vis F (#41).

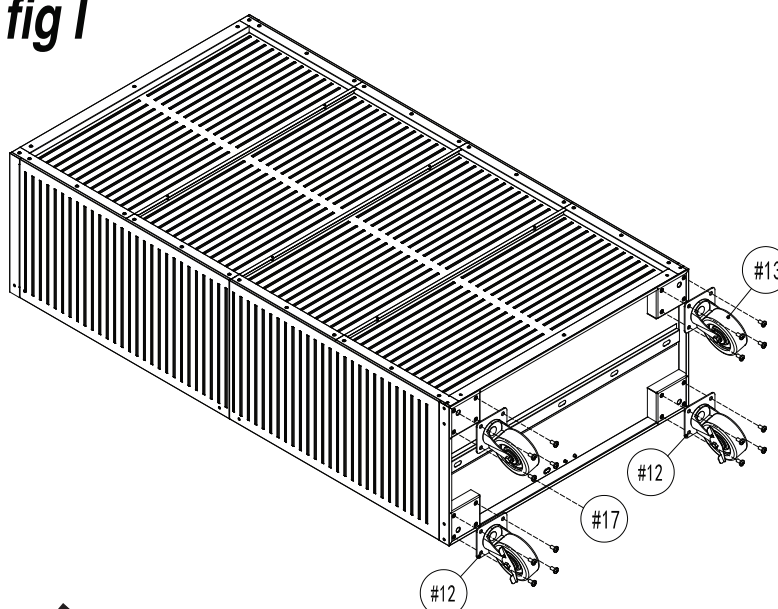


9. Installation des Roulettes

(#12 et #13). (fig I)

fig I

Installez les Roulettes munies de freins (#12) à l'avant de l'armoire et les Roulettes sans freins (#13) à l'arrière. Vissez le tout à l'aide de seize Vis D (#17).



INSTRUCTIONS D'INSTALLATION 16

10. Installation des Protecteurs de coins (#15, #16 et #17). (fig J)

1). Installez les Protecteurs de coins – A et B (#15 et #16) sur le dessus de l'armoire à l'aide de dix Vis N (#54).

2). Installez les Protecteurs de coin – Milieu (#17) au milieu du Panneau gauche (#1-A) et au milieu du Panneau droit (#2-A) à l'aide de huit Vis N (#54).

3). Vissez les Butoirs (#58) aux quatre coins du Panneau inférieur (#4) à l'aide de seize Vis C (#16).

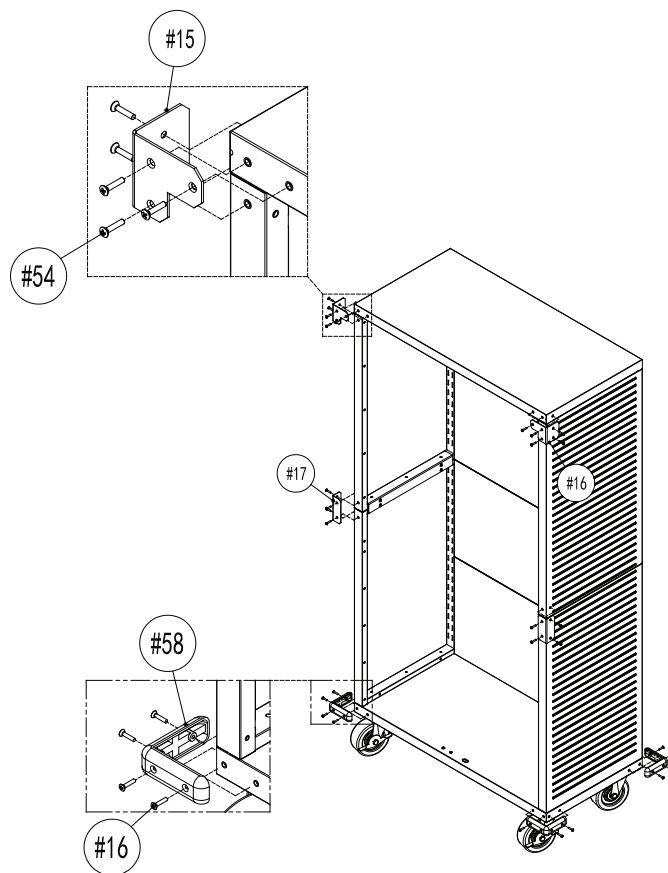
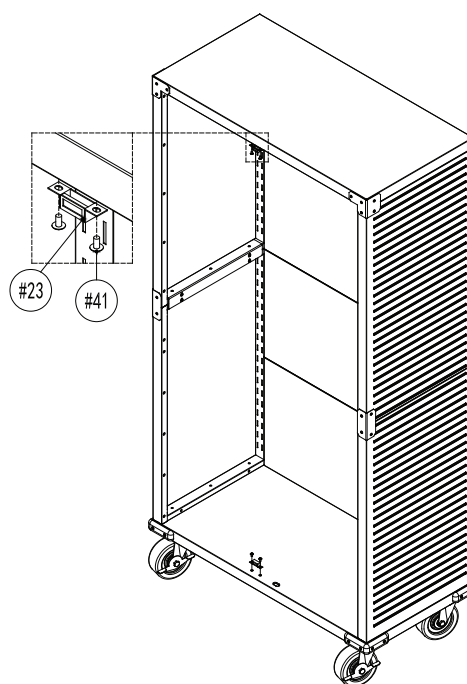


fig K

11. Installation de l'Aimant (#23). (fig K)

Installez les aimants (#23) sur la façade avant du Panneau supérieur (#3) et du Panneau inférieur (#4) à l'aide de quatre Vis F (#41).



17 INSTRUCTIONS D'INSTALLATION

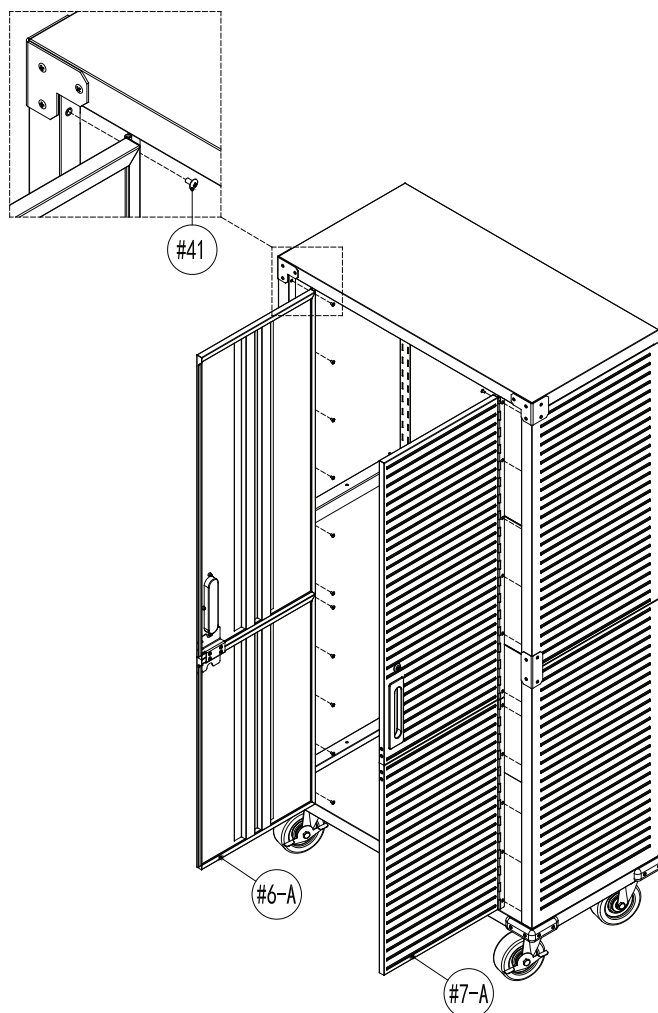
12. Installation des Portes gauche et droite (#6-A et #7-A). (fig L)

1). Attachez la Porte gauche (#6-A) au Panneau gauche (#1-A) l'aide de onze Vis F (#41).

Important: Le diamètre des orifices des vis des charnières des portes est un peu plus grand que requis de façon à pouvoir ajuster et centrer les portes dans leur cadre. Installez d'abord les vis du dessus, ensuite celles du milieu et enfin celles du bas. Ne resserrez pas les vis complètement afin de pouvoir ultérieurement ajuster la mise à niveau des portes.

2). Installez la Porte droite (#7-A) en suivant les mêmes étapes.

fig L



INSTRUCTIONS D'INSTALLATION 18

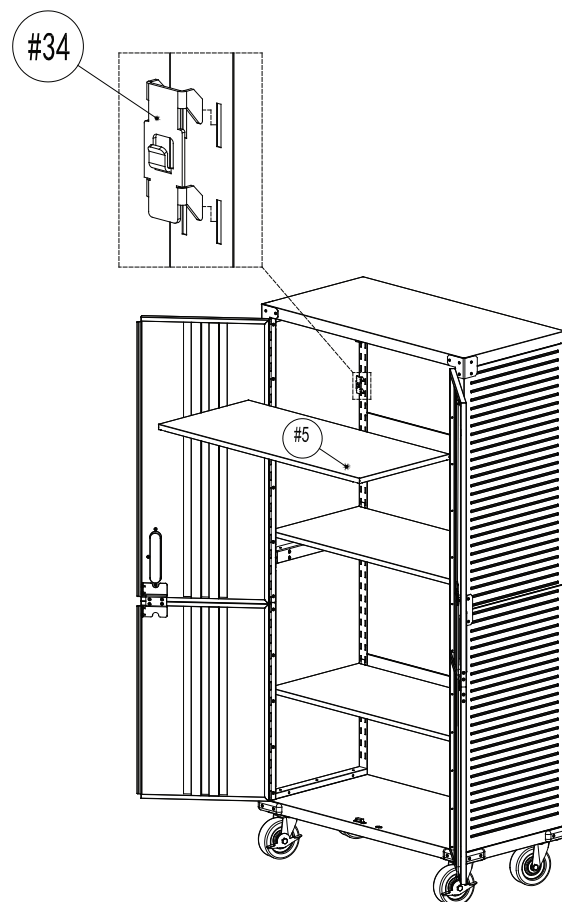
13. Installation des Étagères du milieu (#5). (fig M)

1). Déterminez la hauteur de chaque Étagère du milieu (#5). Installez un Crochet (#34) dans chaque fente prévue pour les coins de l'étagère. Assurez-vous d'installer tous les crochets à la même hauteur.

2). Installez l'Étagère du milieu (#5) dans le meuble et sécurisez-la en place en poussant vers les Crochets (#34).

Important : Les Étagères du milieu (#5) nécessitent un crochet aux quatre coins à titre de support. La charge maximale de chaque étagère est de 150 lb.

fig M



19 GARANTIE



Ce produit BLACKCOMB® comprend une garantie limitée d'un an contre les défauts de fabrication et de matériaux. Sujet aux conditions et aux limitations énumérées ici-bas, ce produit, s'il nous est retourné accompagné d'une preuve d'achat à l'intérieur des délais spécifiés sous la garantie et si couvert par ladite garantie, sera réparé ou remplacé (avec un modèle identique ou un modèle de qualité ou valeur comparable) à notre discrétion. Nous assumerons les coûts de réparation ou de remplacement du produit ainsi que les coûts de main-d'œuvre y afférents.

Cette garantie est sujette aux conditions et aux limitations suivantes :

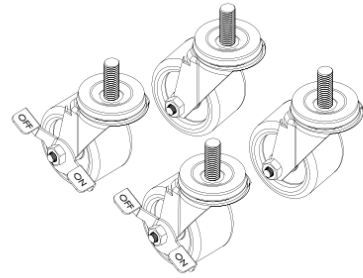
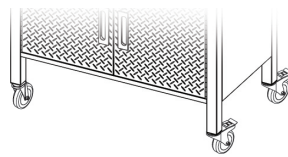
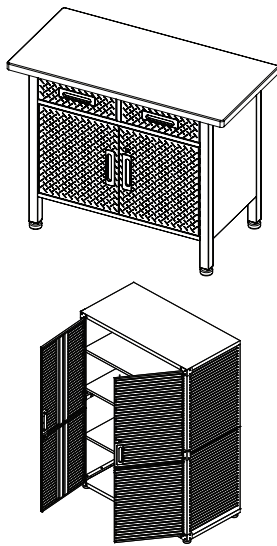
- a. Une preuve d'achat indiquant la date d'achat doit être fournie.
- b. La présente garantie ne s'applique pas aux produits ou aux pièces de produit usés ou endommagés ou rendus non-opérationnels en raison d'un usage abusif ou inapproprié, de dommages accidentels, de négligence ou en raison d'une installation, d'une utilisation ou d'un entretien inappropriés (tel que spécifié dans le guide d'utilisation ou le guide d'opération applicables), ou d'un usage industriel, professionnel, commercial ou à des fins de location.
- c. La présente garantie ne s'applique pas à l'usage normal ou aux pièces ou accessoires consommables pouvant être fournis avec ce produit et dont l'usage est prévu être inopérant ou inutilisable suivant une période raisonnable d'utilisation.
- d. La présente garantie ne s'applique pas aux dommages causés suite à des réparations complètes ou partielles effectuées par des tiers (i.e. personnes non autorisées par le fabricant).
- e. La présente garantie ne s'applique pas aux produits vendus à l'acheteur original à titre de produits remis à neuf (sauf mention contraire indiquée par écrit).
- f. La présente garantie ne s'applique pas aux produits ou pièces de ces produits si lesdits produits ou pièces contiennent des parties provenant d'un autre fabricant ou si des modifications ou des réparations complètes ou partielles ont été effectuées par un tiers non autorisé.
- g. La présente garantie ne s'applique pas à la détérioration normale du fini extérieur, y compris (mais sans limitations) les éraflures, les bosses, les éclats de peinture, ou toute corrosion ou décoloration causées par la chaleur, ou l'utilisation de nettoyants abrasifs et chimiques.
- h. La présente garantie ne s'applique qu'à l'acheteur d'origine et ne peut être transférée. Ni le détaillant, ni le fabricant ne seront tenus responsables en cas de dépense, perte, dommage, y compris et sans limitations, toute perte indirecte, dommage consécutif ou dommage punitif liés à la vente, l'utilisation ou l'impossibilité d'utiliser ce produit.



Armoire de rangement 16236J

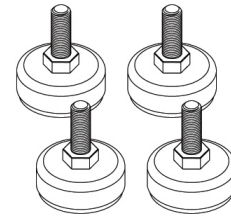
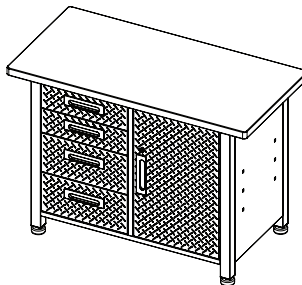
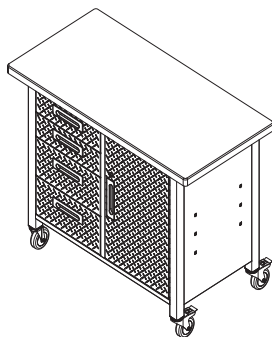
PIÈCES DE RECHANGE ET ADDITIONNELLES 20

Salmon Boy Ltd. est fier de fournir des pièces de rechange et des pièces additionnelles pour vos armoires et établis BLACKCOMB. N'hésitez pas à nous contacter pour commander ces pièces ou pour toutes questions au 1-866-221-8146. Service@SalmonBoy.ca



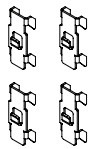
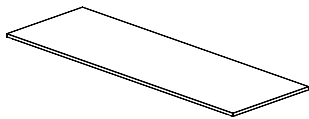
M14 Module de roulettes

Ensemble de quatre roulettes pivotantes (deux munies de freins) pour armoires/établis 20248J, 16241J, 68-6364, 68-6365, 68-1221, 68-0667.



M12 Pattes ajustables

Ensemble de quatre pattes ajustables pour établis 68-1224.



Étagères supplémentaires

Étagère munie de quatre crochets (si requis) pour les armoires/établis 20248J, 20209J, 16236J, 16241J, 20205J, 68-0558, 68-1224, 68-1226, 68-6364, 68-6365, 68-6366, 68-1221, ou 68-0667.



Serrure

Nouvelle serrure comprenant deux clés.

